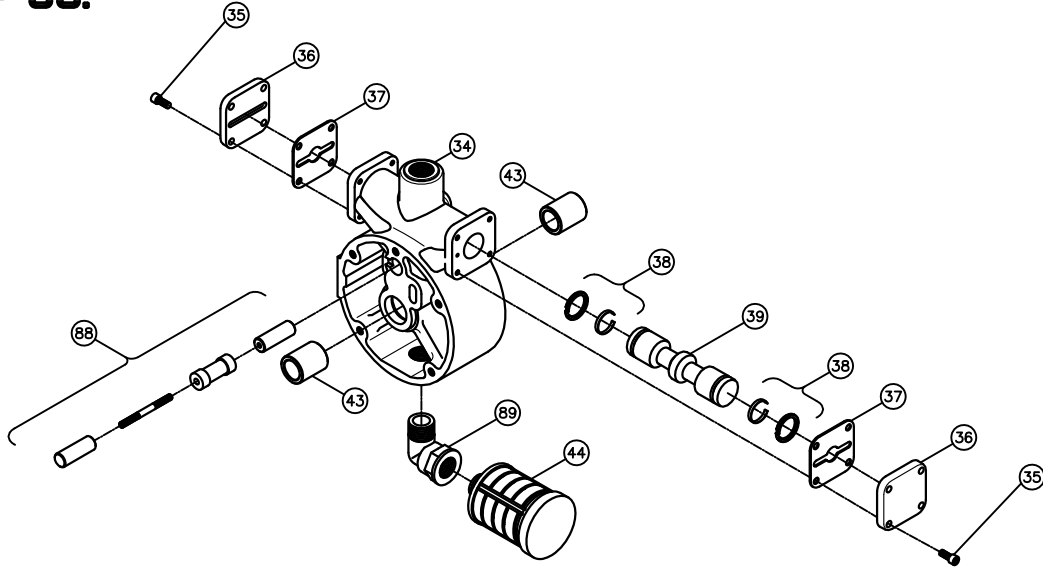
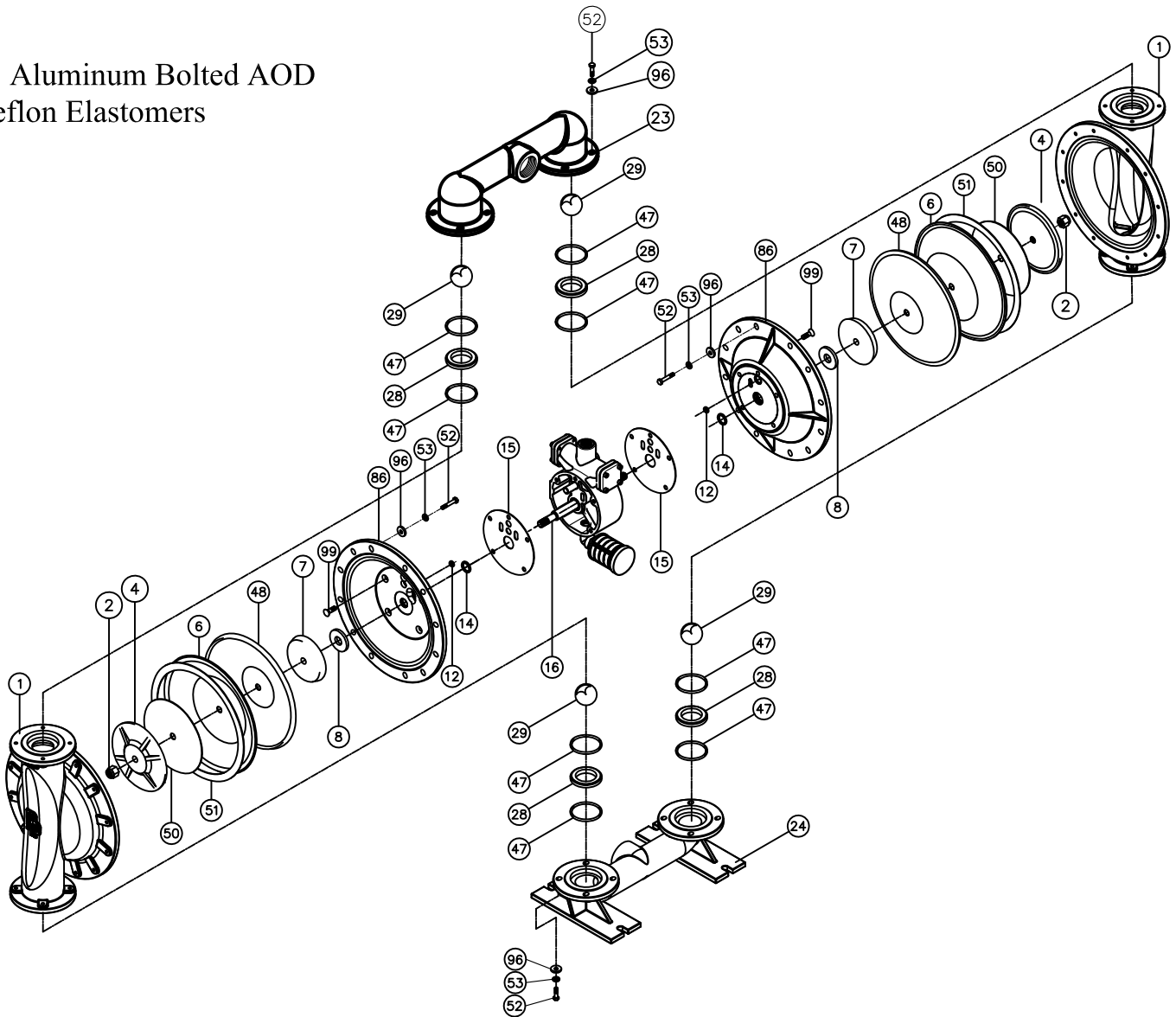




PRICE PUMP CO.



2" Aluminum Bolted AOD
Teflon Elastomers



Price® Pump Co.



2" AOD Bolted Aluminum Parts List

(Teflon Elastomers)

PRICE® PUMP CO.

AOD2BAL-Tplist.doc rev. A

| Key # | Description | Quantity | Part # | Material |
|-----------------------|-----------------------------|-----------------|---------------|----------------------------|
| 1 | Chamber, Pump | 2 | 47-132-56 | Aluminum |
| 2 | Lock Nut | 2 | 51-775-00 | Steel- Zinc Plated |
| 4 | Plate, Diaphragm (Outer) | 2 | 44-752-04 | Aluminum |
| 6 | Diaphragm | 2 | 44-101-50 | Teflon |
| 7 | Plate, Diaphragm (Inner) | 2 | 45-504-00 | Aluminum |
| 8 | Bumper | 2 | 44-106-00 | Polyurethane |
| 12 + | Seal | 2 | 46-060-00 | Molythane |
| 14 + | Seal | 2 | 44-372-00 | Molythane |
| 15 + | Gasket, Air Valve / Chamber | 2 | 44-453-00 | Lexide |
| 16 | Shaft, Pump | 1 | 49-175-00 | Stainless – Nitrided |
| 23 | Manifold, Discharge | 1 | 47-130-56 | Aluminum |
| 24 | Manifold, Suction | 1 | 47-131-56 | Aluminum |
| 28 | Seat, Ball Valve | 4 | 46-222-10 | Aluminum |
| 29 | Ball Valve | 4 | 44-102-50 | Teflon |
| 34 | Housing, Spool | 1 | 47-339-04 | Aluminum |
| 35 | Cap Screw, Socket Head | 8 | 51-640-00 | Stainless Steel |
| 36 | Cap, Spool, Air Valve | 2 | 45-452-00 | Nylon, Glass Filled |
| 37 + | Gasket, Cap | 2 | 46-218-00 | Polyurethane |
| 38 + | Piston Ring w/ Expander | 2 | 44-366-00 | Phenolic / Stainless Steel |
| 39 + | Spool, Air Valve | 1 | 47-180-00 | Phenolic |
| 42 + | Elbow | 1 | 44-128-00 | Polypropylene |
| 43 + | Sleeve, Bushing | 2 | 44-120-00 | Bronze |
| 44 + | Muffler | 1 | 44-127-66 | Polypropylene |
| 47 | O-ring | 8 | 46-317-00 | Teflon |
| 48 | Back-up Diaphragm | 2 | 46-233-00 | Buna |
| 50 | Diaguard | 2 | 45-503-00 | Teflon |
| 51 | Gortex Tape | 2 | 60-001-00 | Teflon |
| 52 | Cap Screw | 40 | 60-024-00 | Stainless Steel |
| 53 | Lockwasher | 40 | 60-055-00 | Stainless Steel |
| 86 | Chamber, Air | 2 | 47-237-04 | Aluminum |
| 88 + | Pilot Spool, Air Valve | 1 | 47-587-00 | Phenolic / Stainless Steel |
| 96 | Flat Washer | 40 | 60-050-00 | Stainless Steel |
| 99 | Capscrew, Flat Socket Head | 10 | 60-034-00 | Alloy – Zinc Plated |
| Air Valve Rebuild Kit | | | | |
| | -Includes All Parts with + | 1 | 47-665-00 | |
| | Elastomer Kit | 1 | 46-439-56 | |

Price® Pump Co.

21775 Eighth Street East * Sonoma, CA 95476-0329 * (707) 938-8441 * Fax (707) 938-0764