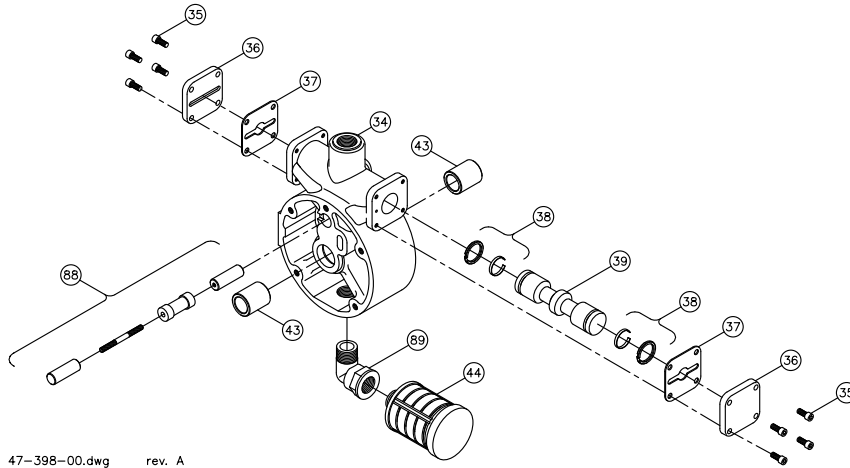




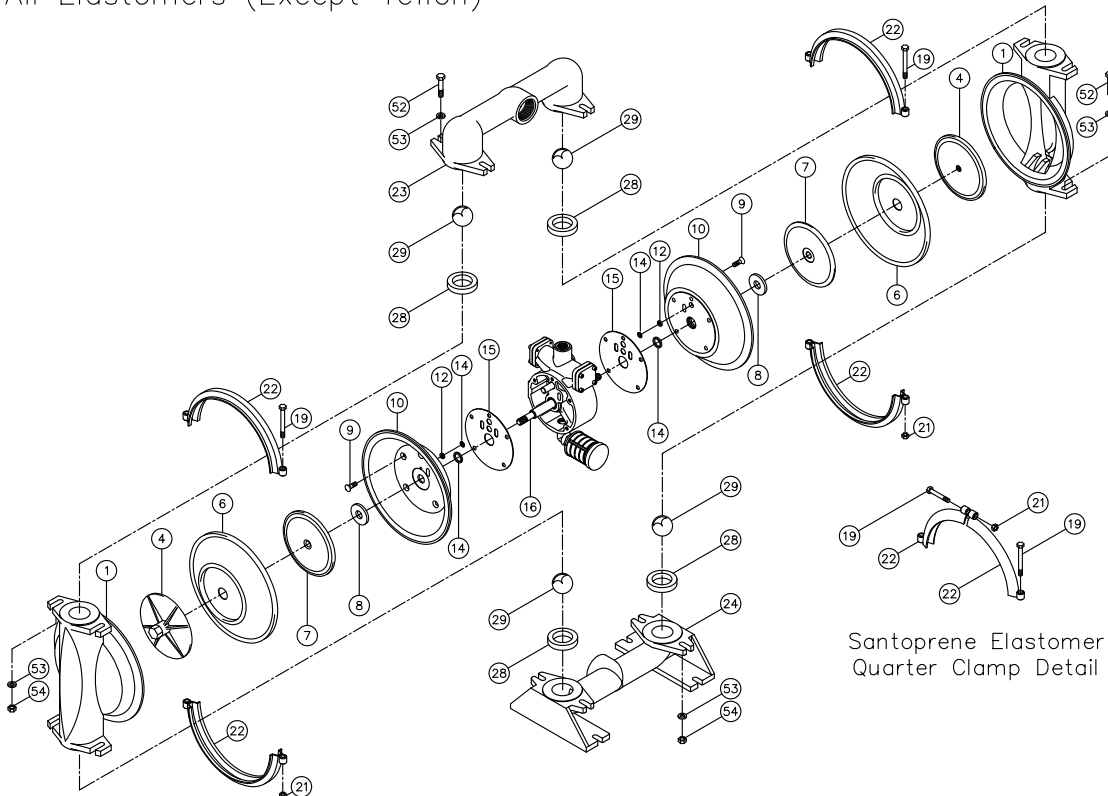
PRICE PUMP CO.

2AOD-CI.dwg rev. NC



47-398-00.dwg rev. A

2" Cast Iron AOD  
All Elastomers (Except Teflon)



45-668-00.dwg rev. A

Price Pump Co.

21775 Eighth Street East \* Sonoma, CA 95476-0329 \* (707) 938-8441 \* Fax (707) 938-0764



# 2" AOD Cast Iron Parts List

(All Elastomers Except Teflon)

**PRICE® PUMP CO.**

AOD2CIplst.doc rev. B

<b>Key #</b>	<b>Description</b>	<b>Quantity</b>	<b>Part #</b>	<b>Material</b>
1	Chamber, Pump	2	45-153-02	Cast Iron
4	Plate, Diaphragm (Outer)	2	45-150-02	Aluminum
6	Diaphragm	2	44-101-**	Customers Preference
7	Plate, Diaphragm (Inner)	2	44-108-04	Aluminum
8	Bumper	2	44-106-00	Polyurethane
9	Cap Screw	10	60-034-00	Alloy
10	Chamber, Air	2	47-236-04	Aluminum
12 +	Seal	2	46-058-00	Molythane
14 +	Seal	2	44-372-00	Molythane
15 +	Gasket, Air Valve / Chamber	2	44-453-00	Lexide
16	Shaft, Pump	1	46-469-00	Steel – Nitrided
19	Cap Screw			
	-Santoprene Elastomer Pumps	8	60-025-00	Steel – Zinc Plated
	-All other Elastomers	4	60-026-00	Steel - Zinc Plated
21	Hex Nut			
	-Santoprene Elastomer Pumps	8	60-061-00	Stainless - Zinc
	-All other Elastomers	4	60-061-00	Stainless - Zinc
22	Clamp, Quarter			
	-Santoprene Elastomer Pumps	8	45-502-00	Steel - Zinc Plated
	Clamp, Half			
	-All other Elastomers	4	44-103-00	Steel - Zinc Plated
23	Manifold, Discharge	1	45-151-02	Cast Iron
24	Manifold, Suction	1	45-152-02	Cast Iron
28	Seat, ball Valve	4	44-105-**	Customer Preference
29	Ball, Valve	4	44-102-**	Customer Preference
34	Housing, Air Valve	1	47-339-04	Aluminum Anodized
35	Cap Screw, Socket Head	8	51-640-00	Stainless Steel
36	Cap, Spool Housing	2	45-452-00	Nylon, Glass Filled
37 +	Gasket, Cap	2	46-218-00	Polyurethane
38 +	Piston Ring w/ Expander	2	44-366-00	Phenolic / Stainless
39 +	Spool, Air Valve	1	47-180-00	Phenolic
43 +	Sleeve, Bushing	2	44-120-00	Bronze
44 +	Muffler	1	44-127-66	Polypropylene
52	Cap Screw	8	60-013-00	Steel – Zinc Plated
53	Flat Washer	16	60-049-00	Stainless Steel
54	Hex Nut	8	60-063-00	Stainless Steel
88 +	Pilot Spool Assembly	1	47-587-00	Stainless / Phenolic
89 +	Elbow	1	44-128-00	Polypropylene
	Air Valve Rebuild Kit			
	-Includes All Parts with +	1	47-665-00	
	Elastomer Kit	1	44-809-**	

\*\* Elastomers:

- 00 – Neoprene
- 10 – Buna-N
- 20 – Viton
- 30 – Nordel
- 60 – Santoprene

Price® Pump Co.

21775 Eighth Street East \* P.O. Box Q \* Sonoma, CA 95476-0329 \* (707) 938-8441 \* Fax (707) 938-0764