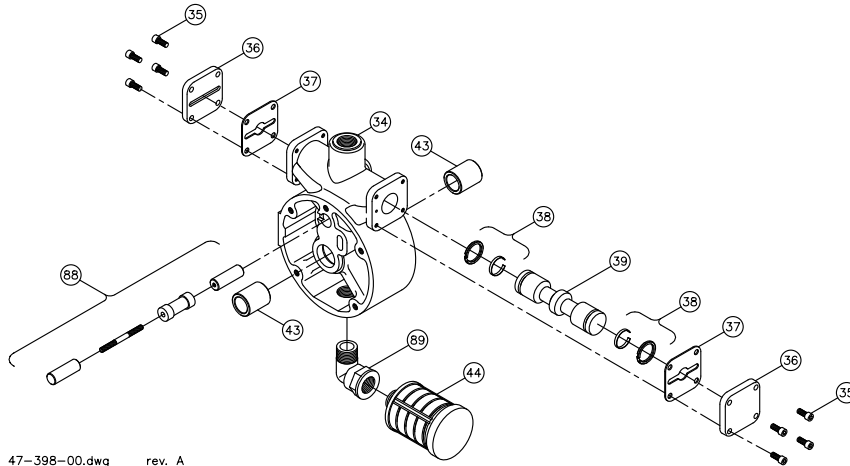




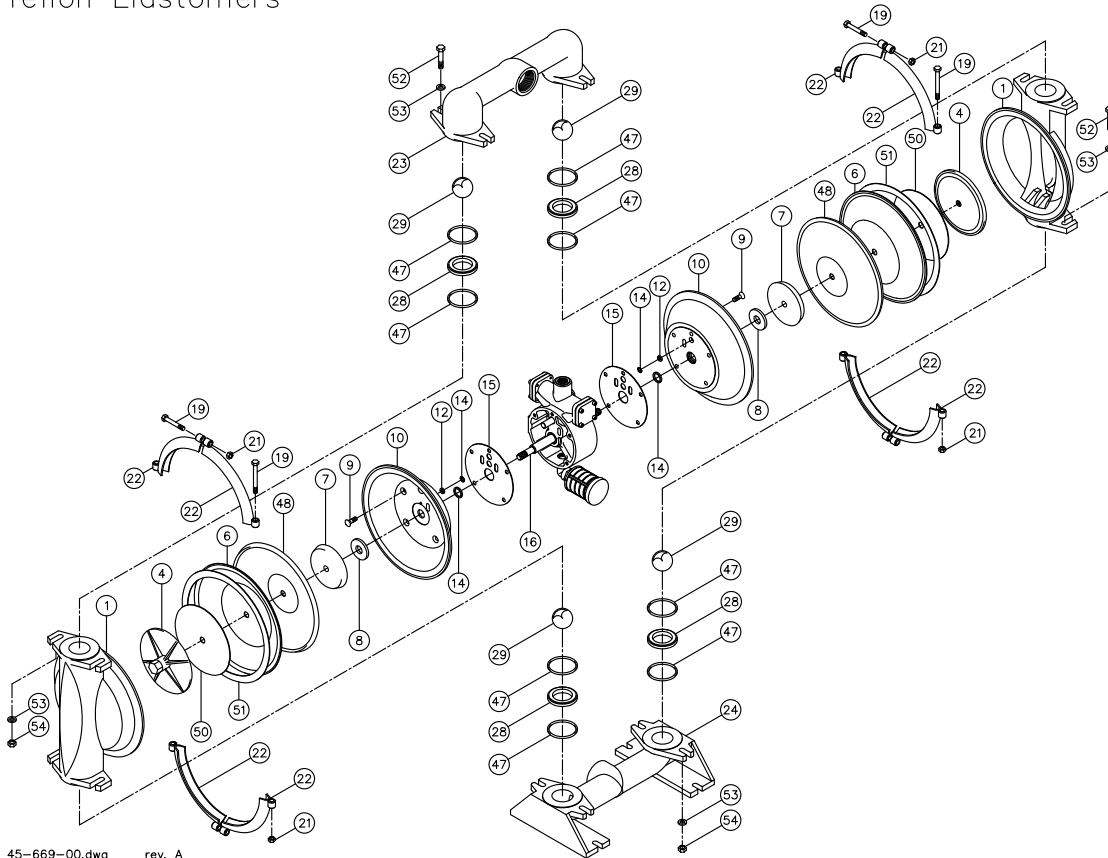
PRICE PUMP CO.

2AOD-CItef.dwg rev. NC



47-398-00.dwg rev. A

2" Cast Iron AOD
Teflon Elastomers



45-669-00.dwg rev. A

Price Pump Co.

21775 Eighth Street East * Sonoma, CA 95476-0329 * (707) 938-8441 * Fax (707) 938-0764



2" AOD Cast Iron Parts List

(Teflon Elastomers)

PRICE® PUMP CO.

AOD2CI-Tplist.doc rev. C

Key #	Description	Quantity	Part #	Material
1	Chamber, Pump	2	45-153-02	Cast Iron
4	Plate, Diaphragm (Outer)	2	45-150-02	Cast Iron
6	Diaphragm	2	44-101-50	Customers Preference
7	Plate, Diaphragm (Inner)	2	45-504-00	Aluminum
8	Bumper	2	44-106-00	Polyurethane
9	Cap Screw	10	60-034-00	Alloy
10	Chamber, Air	2	47-236-04	Aluminum
12 +	Seal	2	46-058-00	Molythane
14 +	Seal	2	44-372-00	Molythane
15 +	Gasket, Air Valve / Chamber	2	44-453-00	Lexide
16	Shaft, Pump	1	46-175-00	Steel – Nitrided
19	Cap Screw	8	60-026-00	Steel – Zinc Plated
21	Hex Nut	8	60-061-00	Stainless - Zinc
22	Clamp, Quarter	8	45-502-00	Steel - Zinc Plated
23	Manifold, Discharge	1	45-151-02	Cast Iron
24	Manifold, Suction	1	45-152-02	Cast Iron
28	Seat, ball Valve	4	46-222-00	Stainless Steel
29	Ball, Valve	4	44-102-50	Teflon
34	Housing, Air Valve	1	47-339-04	Aluminum Anodized
35	Cap Screw, Socket Head	8	51-640-00	Stainless Steel
36	Cap, Spool Housing	2	45-452-00	Nylon, Glass Filled
37 +	Gasket, Cap	2	46-218-00	Polyurethane
38 +	Piston Ring w/ Expander	2	44-366-00	Phenolic / Stainless
39 +	Spool, Air Valve	1	47-180-00	Phenolic
43 +	Sleeve, Bushing	2	44-120-00	Bronze
44 +	Muffler	1	44-127-66	Polypropylene
47	O-ring	8	46-317-00	Teflon
48	Diaphragm, Backup	2	46-233-00	Buna
50	Diaguard	2	45-503-00	Teflon
51	Gortex Tape	2	45-506-26	Teflon
52	Cap Screw	8	60-013-00	Steel – Zinc Plated
53	Flat Washer	16	60-049-00	Stainless Steel
54	Hex Nut	8	60-063-00	Stainless Steel
88 +	Pilot Spool Assembly	1	47-587-00	Stainless / Phenolic
89 +	Elbow	1	44-128-00	Polypropylene
	Air Valve Rebuild Kit			
	-Includes All Parts with +	1	47-665-00	
	Elastomer Kit	1	46-439-56	

Price® Pump Co.

21775 Eighth Street East * Sonoma, CA 95476-0329 * (707) 938-8441 * Fax (707) 938-0764