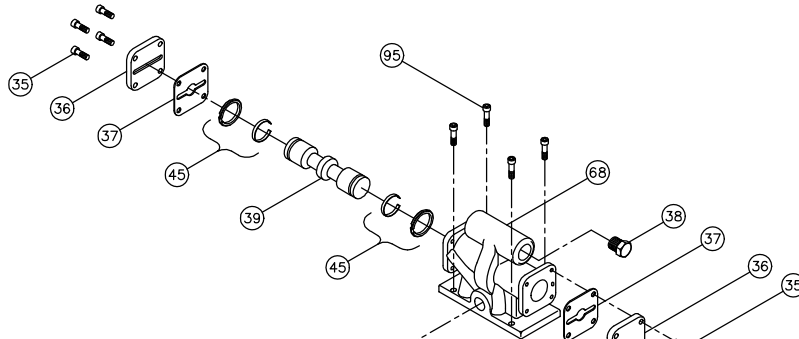


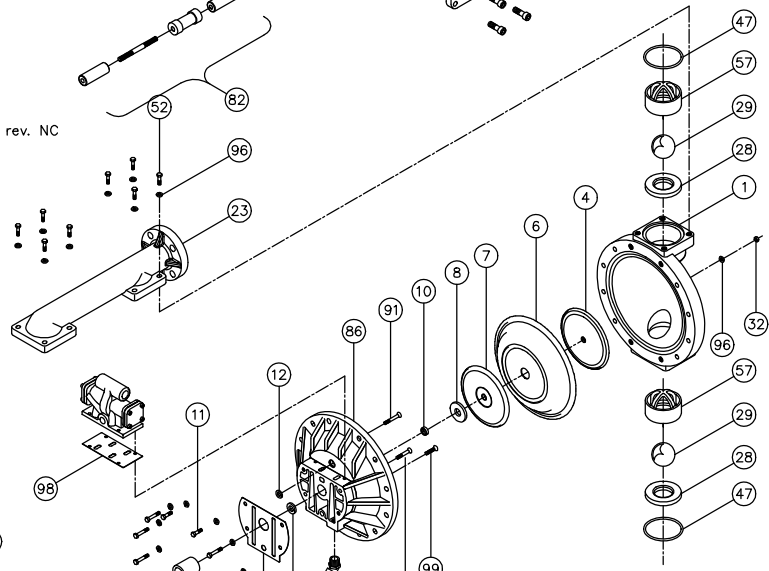


PRICE PUMP CO.

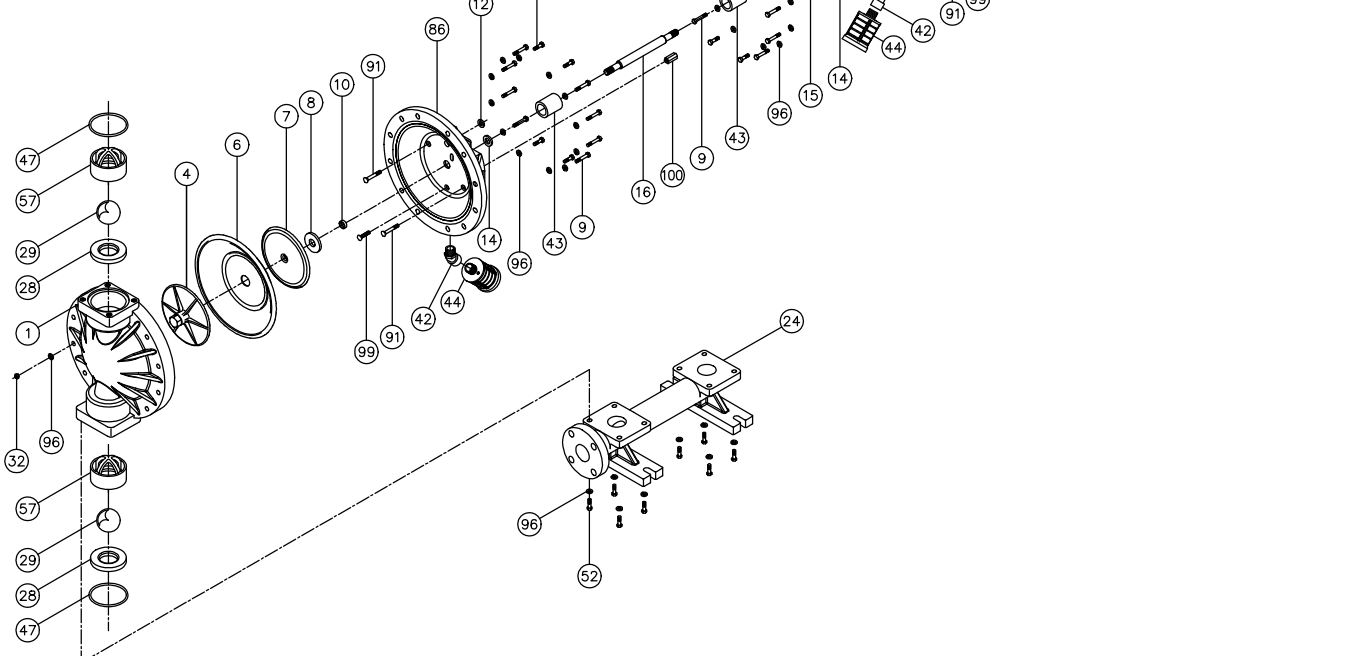
2AOD-P.dwg rev. NC



47-399-00.dwg rev. NC



**2" Polypropylene & PVDF AOD**  
**All Elastomers (Except Teflon)**



45-650-00.dwg rev. NC

**Price<sup>®</sup> Pump Co.**

21775 Eighth Street East \* P.O. Box Q \* Sonoma, CA 95476-0329 \* (707) 938-8441 \* Fax (707) 938-0764



# 2" AOD Polypropylene & PVDF Parts List

(All Elastomers Except Teflon)

**PRICE® PUMP CO.**

AOD2Pplst.doc rev. B

Key #	Description	Quantity	Part #	Material
1	Chamber, Pump	2	47-988-□□	Customer Preference
4	Plate, Diaphragm (Outer)	2	47-985-80	PVDF
6	Diaphragm	2	44-101-**	Customer Preference
7	Plate, Diaphragm (Inner)	2	49-021-00	Stainless Steel
8	Bumper	2	44-106-00	Polyurethane
9	Cap Screw	16	49-016-00	Stainless Steel
10	Spacer			
	(Only on Santoprene Elastomer Pumps)	2	49-112-00	Stainless Steel
11	Cap Screw	8	51-640-00	Stainless Steel
12 +	Seal	2	46-060-00	Molythane
14 +	Seal	2	44-372-00	Molythane
15 +	Gasket, Air Valve / Chamber	1	48-636-00	Santoprene
16	Shaft, Pump	1	49-109-00	Stainless – Nitrided
23	Manifold, Discharge	1	47-986-□□	Customer Preference
24	Manifold, Suction	1	47-987-□□	Customer Preference
28	Seat, ball Valve	4	47-983-50	Teflon
29	Ball Valve	4	44-102-**	Customer Preference
32	Hex, Nut	16	60-061-00	Stainless Steel
35	Cap Screw, Socket Head	8	60-024-00	Stainless Steel
36	Cap, Spool, Air Valve	2	45-452-00	Nylon, Glass Filled
37 +	Gasket, Cap	2	46-218-00	Polyurethane
38	Pipe Plug	1	60-056-00	Stainless Steel
39 +	Spool, Air Valve	1	47-180-00	Phenolic
42	Elbow	2	44-129-00	Polypropylene
43 +	Sleeve, Bushing	2	44-120-00	Bronze
44 +	Muffler	2	44-127-66	Polypropylene
45 +	Piston Ring w/ Expander	2	44-366-00	Phenolic / Stainless Steel
47	O-ring			
	-Pumps using Santoprene Elastomers	4	46-181-00	Teflon
	-Pumps using other Elastomers	4	49-* * *-00	Customer Preference
52	Cap Screw	16	60-024-00	Stainless Steel
57	Cage, Ball Valve	4	47-991-□□	Customer Preference
68	Housing, Spool	1	47-996-10	Stainless Steel
82 +	Pilot Spool, Air Valve	1	47-587-00	Phenolic / Stainless
86	Chamber, Air	2	47-995-00	Polypropylene
91	Cap Screw	4	48-946-00	Alloy – Zinc Plated
95	Cap Screw, Socket Head	4	48-950-00	Stainless Steel
96	Flat Washer	56	49-015-00	Stainless Steel
98 +	Gasket, Spool Housing	1	48-967-00	Santoprene
99	Capscrew, Flat Socket Head	2	49-018-00	Alloy – Zinc Plated
100	Coupling Nut	1	49-017-00	Steel – Zinc Plated
	Air Valve Rebuild Kit			
	-Includes All Parts with +	1	48-620-00	
	Elastomer Kit	1	49-051-**	

□□ Pump Material:      00 – Polypropylene  
                                 80 – PVDF

\*\* Elastomers:            00 – Neoprene  
                                 10 – Buna-N  
                                 20 – Viton  
                                 30 – Nordel  
                                 60 – Santoprene

\* \* \* Elastomers:        022 – Buna-N / Santoprene  
                                 023 – Viton  
                                 024 – Nordel  
                                 025 – Neoprene

**Price® Pump Co.**

21775 Eighth Street East \* P.O. Box Q \* Sonoma, CA 95476-0329 \* (707) 938-8441 \* Fax (707) 938-0764