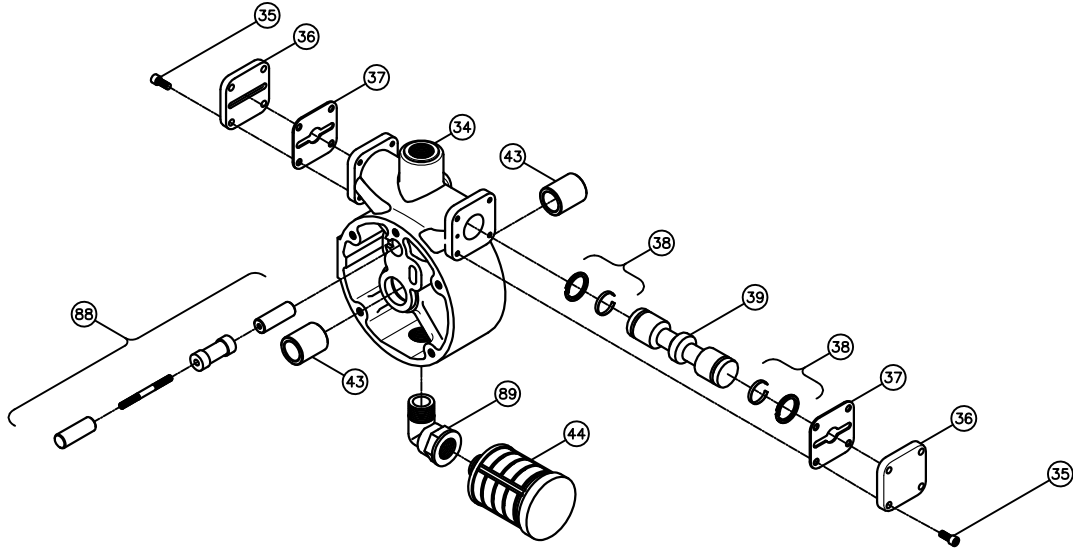
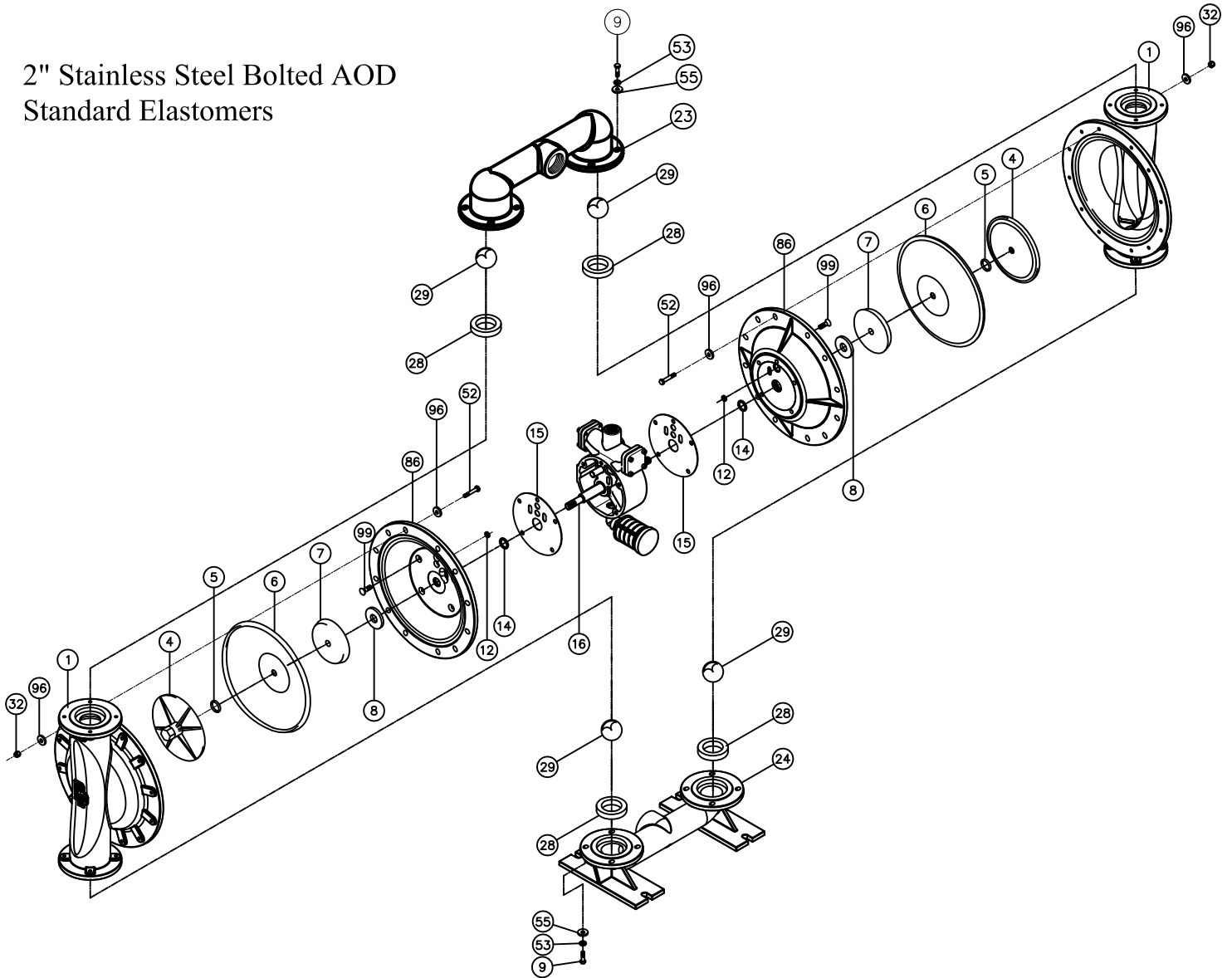




PRICE PUMP CO.



2" Stainless Steel Bolted AOD
Standard Elastomers



Price Pump Co.



2" AOD Bolted Stainless Steel Parts List

(All Elastomers Except Teflon)

PRICE® PUMP CO.

AOD2BSSplist.doc rev. B

Key #	Description	Quantity	Part #	Material
1	Chamber, Pump	2	46-120-10	Stainless Steel
4	Plate, Diaphragm (Outer)	2	44-905-10	Stainless Steel
5	O-Ring	2	44-130-00	Neoprene
6	Diaphragm	2	44-101-**	Customer Preference
7	Plate, Diaphragm (Inner)	2	44-108-04	Aluminum
8	Bumper	2	44-106-00	Polyurethane
9	Cap Screw	16	60-022-00	Stainless Steel
12 +	Seal	2	46-058-00	Molythane
14 +	Seal	2	44-372-00	Molythane
15 +	Gasket, Air Valve / Chamber	1	48-453-00	Lexide
16	Shaft, Pump	1	46-469-00	Stainless – Nitrided
23	Manifold, Discharge	1	46-122-10	Stainless Steel
24	Manifold, Suction	1	46-121-10	Stainless Steel
28	Seat, Ball Valve	4	44-105-**	Customer Preference
29	Ball Valve	4	44-102-**	Customer Preference
32	Hex, Nut	24	60-061-00	Stainless Steel
34	Housing, Spool	1	47-339-10	Aluminum
35	Cap Screw, Socket Head	8	51-640-00	Stainless Steel
36	Cap, Spool, Air Valve	2	45-452-00	Nylon, Glass Filled
37 +	Gasket, Cap	2	46-218-00	Polyurethane
38 +	Piston Ring w/ Expander	2	44-366-00	Phenolic / Stainless Steel
39 +	Spool, Air Valve	1	47-180-00	Phenolic
43 +	Sleeve, Bushing	2	44-120-00	Bronze
44 +	Muffler	1	44-127-66	Polypropylene
52	Cap Screw	24	60-031-00	Stainless Steel
53	Lockwasher	16	60-053-00	Stainless Steel
55	Flat Washer	16	51-664-SS	Stainless Steel
86	Chamber, Air	2	47-237-00	Aluminum
88 +	Pilot Spool, Air Valve	1	47-587-00	Phenolic / Stainless Steel
89 +	Elbow	1	44-128-00	Polypropylene
96	Flat Washer	48	49-015-00	Stainless Steel
99	Capscrew, Flat Socket Head	10	49-034-00	Alloy – Zinc Plated
Air Valve Rebuild Kit				
	-Includes All Parts with +	1	47-665-00	
	Elastomer Kit	1	44-809-**	

** Elastomers: 00 – Neoprene
10 – Buna-N
20 – Viton
30 – Nordel
60 – Santoprene