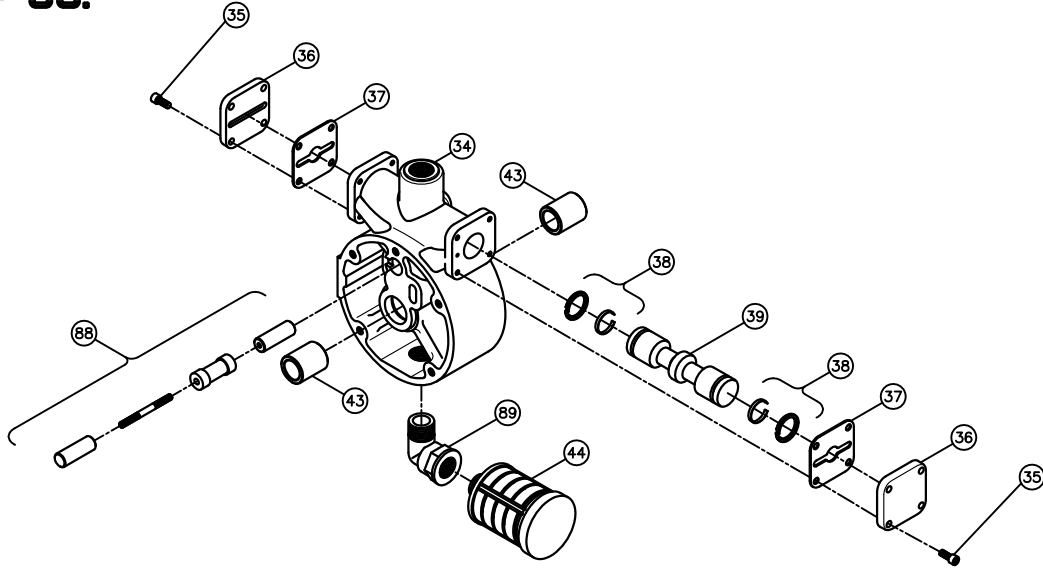
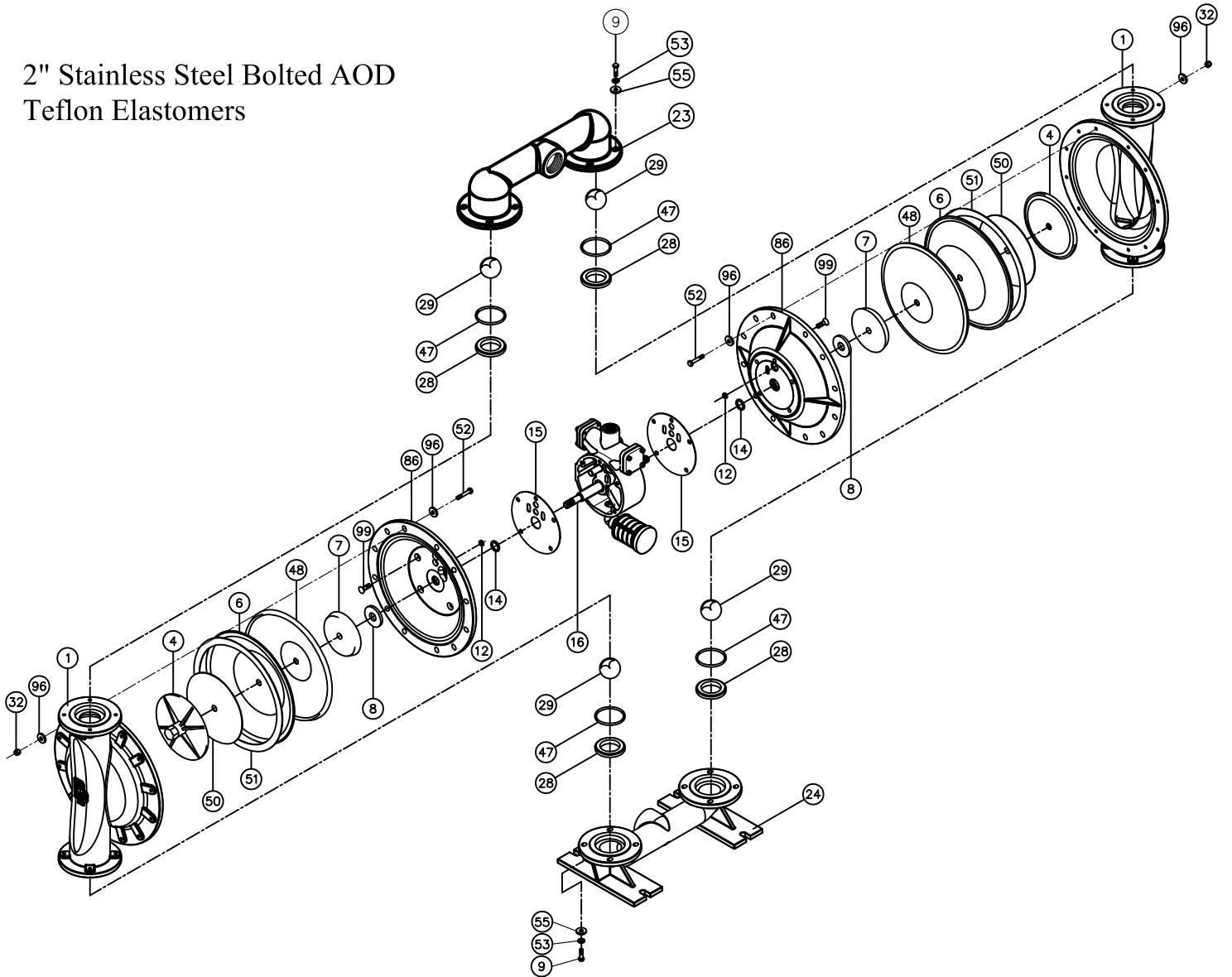




PRICE PUMP CO.



2" Stainless Steel Bolted AOD  
Teflon Elastomers



Price® Pump Co.

21775 Eighth Street East \* Sonoma, CA 95476-0329 \* (707) 938-8441 \* Fax (707) 938-0764



# 2" AOD Bolted Stainless Steel Parts List

(Teflon Elastomers)

**PRICE® PUMP CO.**

AOD2BSS-Tplist.doc rev. C

<b>Key #</b>	<b>Description</b>	<b>Quantity</b>	<b>Part #</b>	<b>Material</b>
1	Chamber, Pump	2	46-120-20	Stainless Steel
4	Plate, Diaphragm (Outer)	2	44-905-10	Stainless Steel
6	Diaphragm	2	44-101-50	Teflon
7	Plate, Diaphragm (Inner)	2	45-504-00	Aluminum
8	Bumper	2	44-106-00	Polyurethane
9	Cap Screw	16	60-022-00	Stainless Steel
12 +	Seal	2	46-060-00	Molythane
14 +	Seal	2	44-372-00	Molythane
15 +	Gasket, Air Valve / Chamber	2	44-453-00	Lexide
16	Shaft, Pump	1	49-175-00	Stainless – Nitrided
23	Manifold, Discharge	1	46-122-10	Stainless Steel
24	Manifold, Suction	1	46-121-20	Stainless Steel
28	Seat, Ball Valve	4	46-171-20	Stainless Steel
29	Ball Valve	4	44-102-50	Teflon
32	Hex Nut	24	60-061-00	Stainless Steel
34	Housing, Spool	1	47-339-04	Aluminum
35	Cap Screw, Socket Head	8	51-640-00	Stainless Steel
36	Cap, Spool, Air Valve	2	45-452-00	Nylon, Glass Filled
37 +	Gasket, Cap	2	46-218-00	Polyurethane
38 +	Piston Ring w/ Expander	2	44-366-00	Phenolic / Stainless Steel
39 +	Spool, Air Valve	1	47-180-00	Phenolic
42 +	Elbow	1	44-128-00	Polypropylene
43 +	Sleeve, Bushing	2	44-120-00	Bronze
44 +	Muffler	1	44-180-66	Polypropylene
47	O-ring	4	46-180-20	Teflon
48	Back-up Diaphragm	2	46-233-00	Buna
50	Diaguard	2	45-503-00	Teflon
51	Gortex Tape	2	60-031-00	Teflon
52	Cap Screw	24	60-024-00	Stainless Steel
53	Lockwasher	16	60-053-00	Stainless Steel
55	Flat Washer	16	51-664-SS	Stainless Steel
86	Chamber, Air	2	47-237-04	Aluminum
88 +	Pilot Spool, Air Valve	1	47-587-00	Phenolic / Stainless Steel
96	Flat Washer	48	49-015-00	Stainless Steel
99	Capscrew, Flat Socket Head	10	60-034-00	Alloy – Zinc Plated
	Air Valve Rebuild Kit			
	-Includes All Parts with +	1	47-665-00	
	Elastomer Kit	1	46-430-56	

Price® Pump Co.

21775 Eighth Street East \* Sonoma, CA 95476-0329 \* (707) 938-8441 \* Fax (707) 938-0764