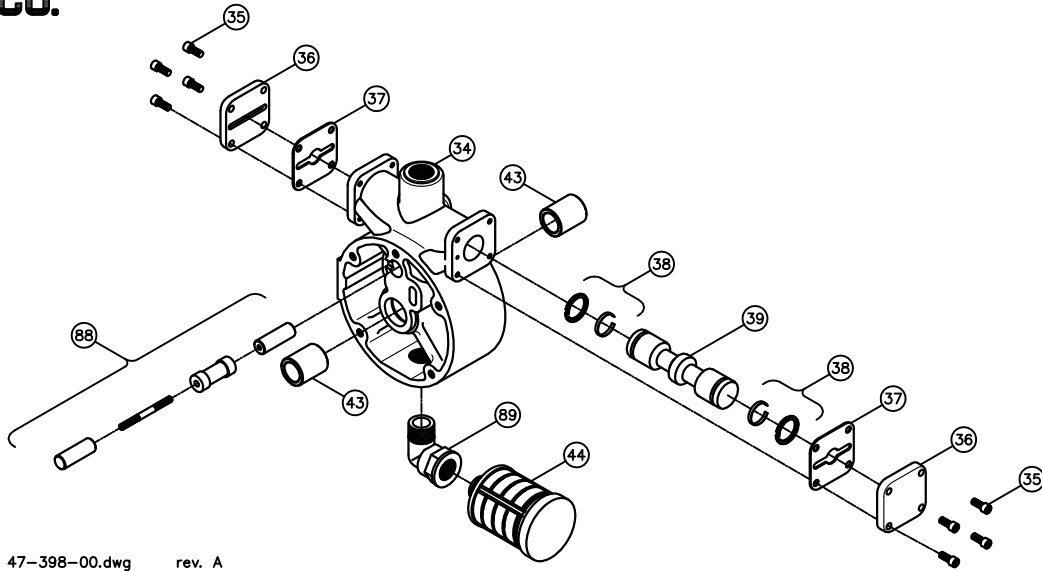


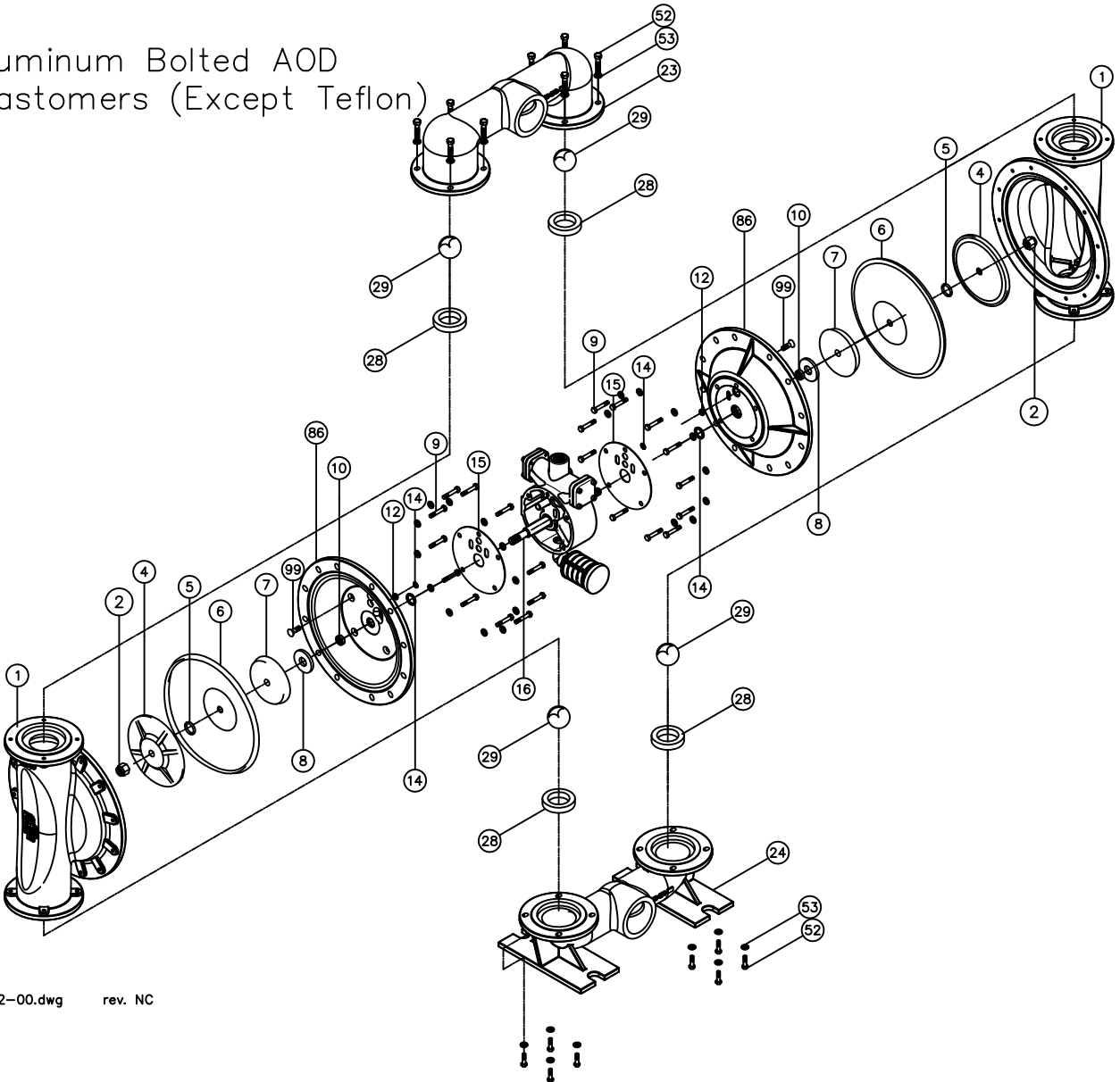


PRICE PUMP CO.



47-398-00.dwg rev. A

3" Aluminum Bolted AOD
All Elastomers (Except Teflon)



44-472-00.dwg rev. NC



3" AOD Bolted Aluminum Parts List

(All Elastomers Except Teflon)

PRICE® PUMP CO.

AOD3BALplist.doc rev. NC

Key #	Description	Quantity	Part #	Material
1	Chamber, Pump	2	44-473-10	Aluminum
2	Lock Nut	2	51-775-00	Steel - Zinc Plated
4	Plate, Diaphragm (Outer)	2	44-752-04	Aluminum
5	O-Ring	2	44-130-00	Neoprene
6	Diaphragm	2	44-101-**	Customer Preference
7	Plate, Diaphragm (Inner)	2	44-108-04	Aluminum
8	Bumper	2	44-106-00	Polyurethane
9	Cap Screw	24	60-031-00	Stainless Steel
10	Spacer			
	(Only on Santoprene Elastomer Pumps)	2	49-112-00	Stainless Steel
12 +	Seal	2	46-058-00	Molythane
14 +	Seal	2	44-372-00	Molythane
15 +	Gasket, Air Valve / Chamber	2	44-453-00	Lexide
16	Shaft, Pump	1	46-469-00	Steel – Nitrided
23	Manifold, Discharge	1	44-472-10	Aluminum
24	Manifold, Suction	1	44-471-10	Aluminum
28	Seat, Ball Valve	4	44-392-**	Customer Preference
29	Ball Valve	4	44-391-**	Customer Preference
34	Housing, Air Valve	1	47-339-04	Aluminum Anodized
35	Cap Screw, Socket Head	8	51-640-00	Stainless Steel
36	Cap, Spool, Air Valve	2	45-452-00	Nylon, Glass Filled
37 +	Gasket, Cap	2	46-218-00	Polyurethane
38 +	Piston Ring w/ Expander	2	44-366-00	Phenolic / Stainless
39 +	Spool, Air Valve	1	47-180-00	Phenolic
43 +	Sleeve, Bushing	2	44-120-00	Bronze
44 +	Muffler	1	44-127-66	Polypropylene
52	Cap Screw	16	60-022-00	Stainless Steel
53	Lockwasher	40	60-053-00	Stainless Steel
86	Chamber, Air	2	47-237-04	Aluminum
89 +	Elbow	1	44-128-00	Polypropylene
99	Capscrew, Flat Socket Head	10	60-034-00	Alloy – Zinc Plated

Air Valve Rebuild Kit

-Includes All Parts with + 1 47-665-00

Elastomer Kit 1 44-809-**

** Elastomers:

- 00 – Neoprene
- 10 – Buna-N
- 20 – Viton
- 30 – Nordel
- 60 – Santoprene

Price® Pump Co.

21775 Eighth Street East * Sonoma, CA 95476-0329 * (707) 938-8441 * Fax (707) 938-0764