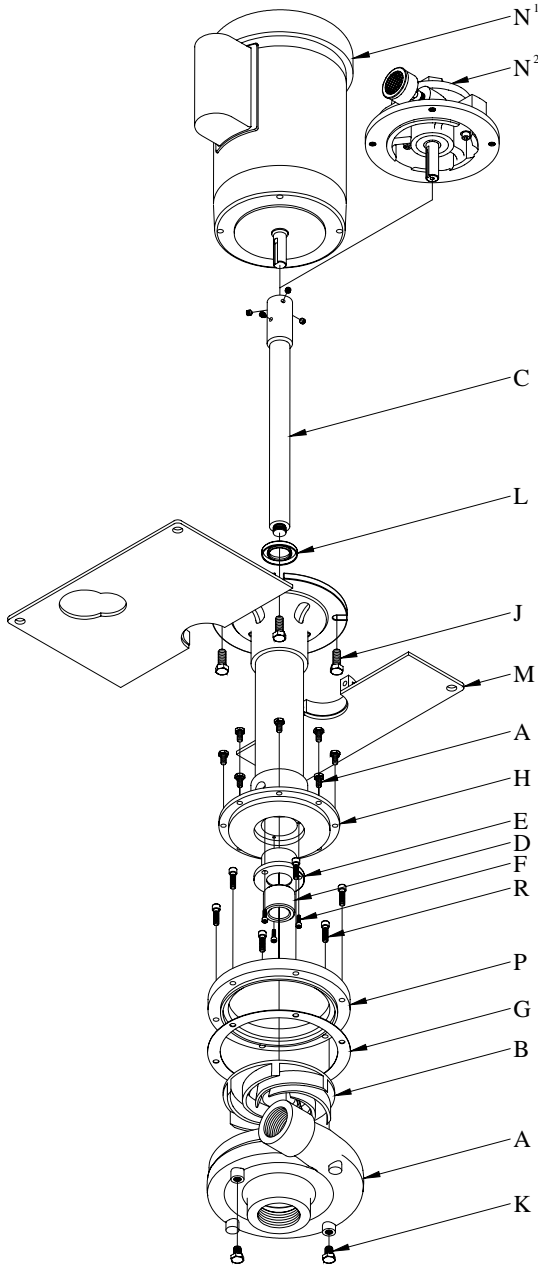




**PRICE® PUMP CO.**

# CL150 SS Vertical Parts List

Effective: April 1, 2005



A.	Volute		3503
B.	Impeller	Part No. – diameter	3502V-dia
		Impeller Includes: 1 Cup Point Setscrew	3080
C.	5/8" ID Shaft w/Setscrews		
		6.66" SS	3780-1
		13" SS	3781-1
		20" SS	3782-1
		32" SS	3783-1
		44" SS	3784-1
	7/8" ID Shaft w/Setscrews		
		6.66" SS	3785-1
		13" SS	3786-1
		20" SS	3787-1
		32" SS	3788-1
		44" SS	3789-1
	Shafts Include: 1 Half Dog Setscrew &		0568
	2 Cup Point Setscrews		3080
D.	Bushing		
	Graphite (std)		0676
	Glass Filled PTFE (opt)		1135
	* Silicon Carbide (opt)		0616
	Bushing plate for silicon carbide		0747ASC
	SS Pin for **GF PTFE & silicon carbide (1 rqd)		0727
E.	Bushing Plate		0747
F.	Bushing Plate Screws (3 rqd)		0256
G.	Gasket, PTFE		3530
H.	Column Assembly 6 1/2" SS		0468
	13" SS		0467
	20" SS		0466
	32" SS		0472
	44" SS		0469
I.	Adapter Plate Bolts (8 rqd)		0917
J.	Motor Bolts (4 rqd)		0592
K.	1/8" Pipe plugs (2 rqd)		0559
L.	Fume Barrier (opt)		
	Fluorocarbon for 5/8" ID shaft		0875
	Fluorocarbon for 7/8" ID shaft		0877
	PTFE for 5/8" ID Shaft		0876
	PTFE for 7/8" ID Shaft		0878
M.	Plate Assembly (opt)		
	12 x 12 Sq. Steel		0903
	12 x 12 Sq. SS		0904
N <sup>1</sup> .	Motor - Specify P/N		
N <sup>2</sup> .	Air Motor - Specify P/N		
P.	Adapter Plate		3512
R.	Volute Bolts (6 rqd)		2466

\* Note: If using an optional silicon carbide bushing the shaft must be tungsten coated – Contact factory

SS = Stainless Steel

Price® Pump Co.

21775 8th Street East \* Sonoma, CA 95476-9781 \* Phone (707) 938-8441 \* Fax (707) 938-0764