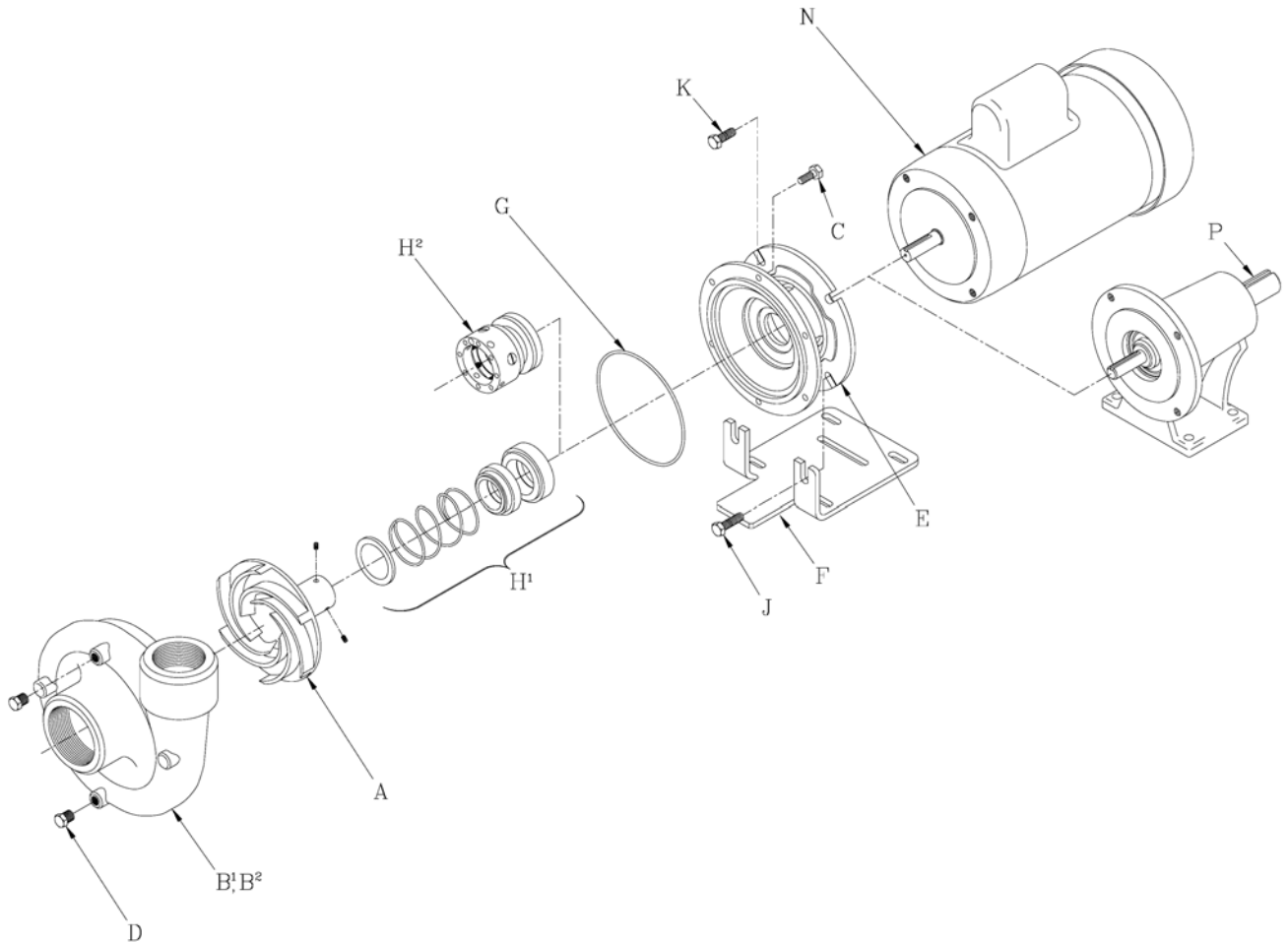


**PRICE® PUMP CO.**

# CL150SS Parts List

Effective: August 12, 2010

Part Description

- A. Impeller w/ setscrews  
For 56C motors  
For 143/145TC motors
- B. Volute  
1. O-ring  
2. Optional
- C. Volute Bolts
- D. 1/8" Pipe Plugs
- E. Bracket
- F. Motor Base Plate
- G. O-ring  
Viton (std.)

Part No.:

- 3676-dia  
3677-dia
- 3503-0  
3503
- 0917 (6 req.)  
0559 (3 req.)
- 3673
- 0197
- 0865

Part Description

- G. O-ring (cont.)  
Teflon (opt.)  
EPR (opt.)  
Buna (opt.)  
Neoprene (opt.)
- H<sup>1</sup>. T.21 Seal / Seat, Viton (std.)
- H<sup>2</sup>. T.9 Teflon (opt.)
- J. Motor Bolts, top
- K. Motor Bolts, bottom
- N. Motor
- P. Power Frame

Part No.:

- 0866  
0867  
0868  
0869
- 0122
- 0123
- 0673 (2 req.)  
0593 (2 req.)
- Specify P/N  
5478

Price® Pump Co.

21775 Eighth Street East \* Sonoma, CA 95476-9781 \* Phone (707) 938-8441 \* Fax (707) 938-0764