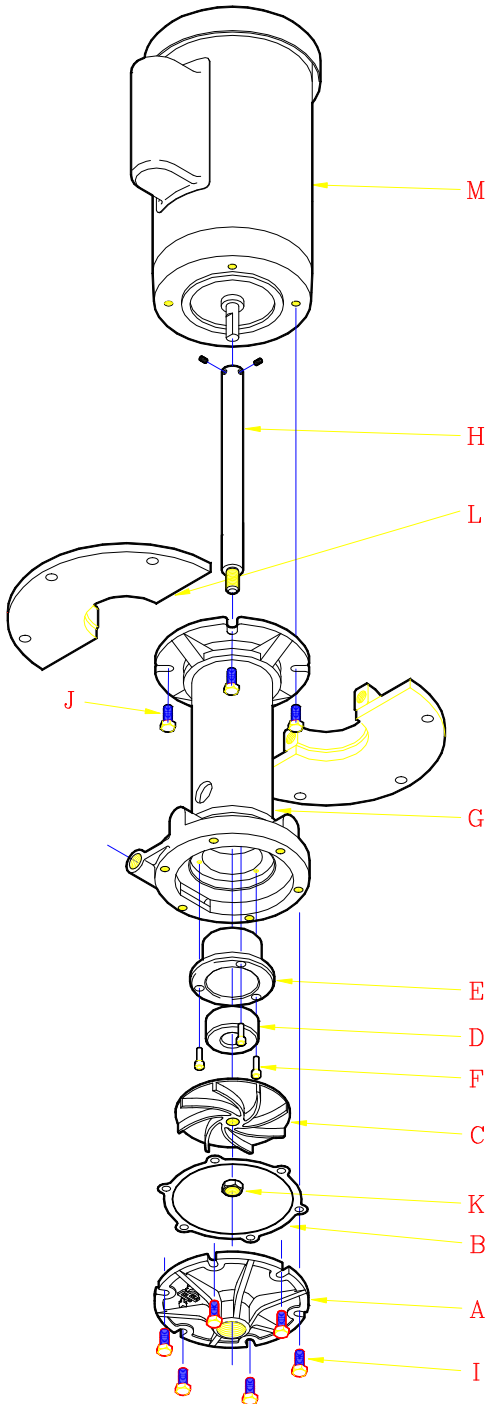




PRICE PUMP CO.

LT25V PARTS LIST

Effective: May 1, 2003



- A. Volute Cover 0313
- B. Gasket, PTFE 0318
- C. Impeller 0315V-3.34
- D. Bushing:
  - Carbon Graphitar (std) 0672
  - Glass Filled PTFE (opt) 0691
  - \* Silicon Carbide (opt) 0730
  - Bushing Plate for Silicon Carbide 0747ASC
  - Pin SS for GFT & Silicon Carbide (1 req'd) 0890
- E. Bushing Plate 0747
- F. Bushing Plate Screw (3 req'd) 0256
- G. Column Assembly:
  - 7 1/2" SS 0453
  - 13" SS 0454
  - 20" SS 0455
- H. Shaft w/ Setscrews:
  - 7 1/2" SS 0316-3
  - 13" SS 0316-5
  - 20" SS 0316-7
  - Shafts Include: 2 Cup Point Setscrews 0851
- I. Volute Bolts (6 req'd) 0917
- J. Motor Bolts (4 req'd) 0575
- K. Impeller Locknut 0897
- L. Mounting Plate Assembly (opt)
  - 7" Round Steel 0909
  - 7" Round Stainless Steel 0910
  - 12 x 12 sq. Steel (not shown) 0903
  - 12 x 12 sq. Stainless Steel (not shown) 0904
- M. Motors - Specify P/N (See 42C Frames Below)
  - 1/8HP, 1800 RPM, 1/60/115/230, TEFC 1608
  - 1/3HP, 3600 RPM, 1/60/115/230, DP 1438
  - 1/3HP, 3600 RPM, 1/50/60/100/200/115/230, TEFC 1439
  - 1/3HP, 3600 RPM, 3/50/60/220/440/230/460, TEFC 1440
  - 1/3HP, 3600 RPM, 1/50/60/115/230, X-P 1441
  - 1/3HP, 3600 RPM, 3/50/60/220/440/230/460, X-P 1442

\* Note: If using an optional silicon carbide bushing, the shaft must be tungsten coated - Contact Factory

SS = Stainless Steel

(LT25Vplist.doc)

Price® Pump Company

21775 8th Street East \* Sonoma, CA 95476-0329 \* (707) 938-8441 \* Fax (707) 938-0764