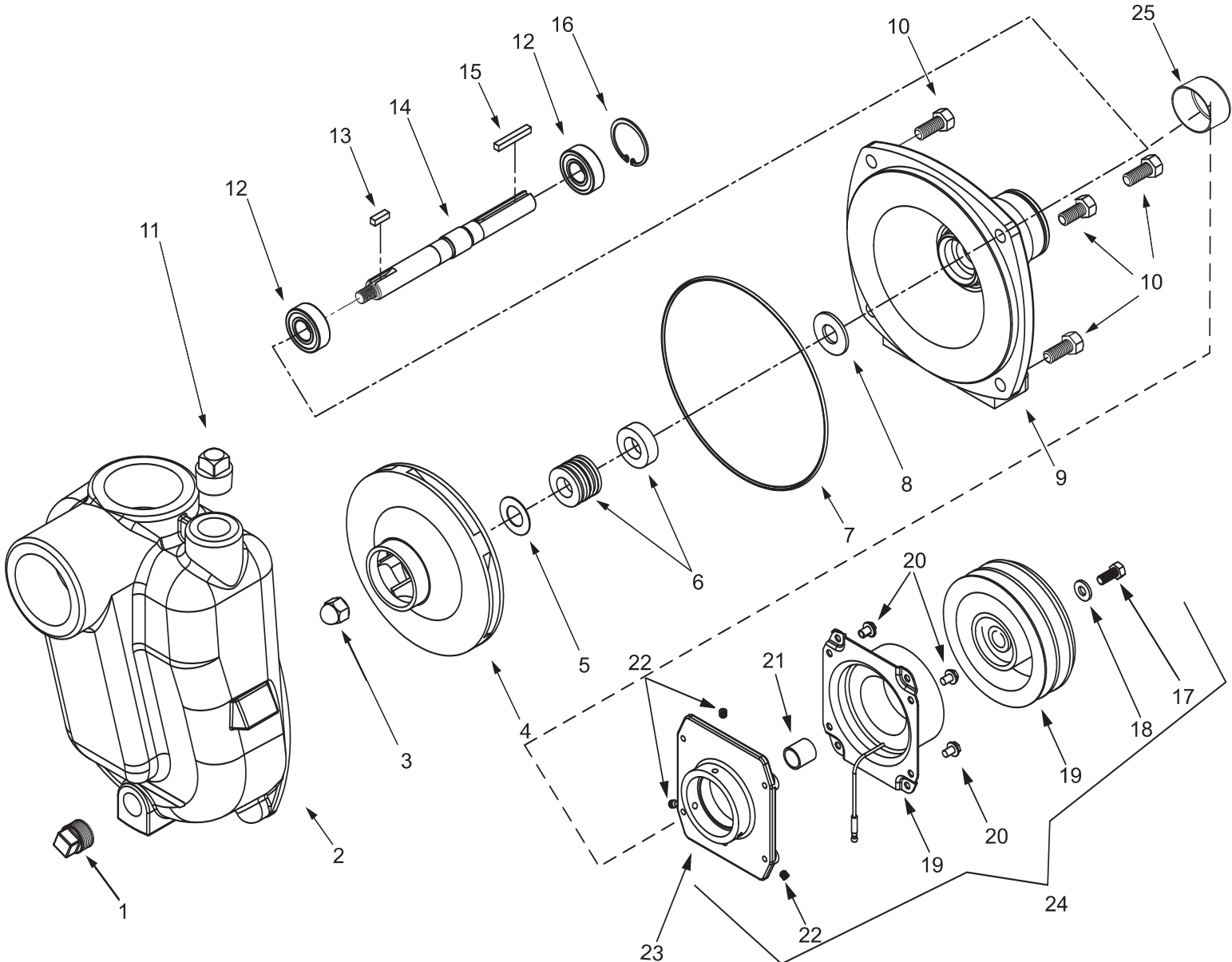


# Model 9203C-R-SP and 9263C-CR-SP



**Standard Seal Kit**  
 No. 3430-0332 consists of:  
 (1) Ref. 5 Gasket  
 (1) Ref. 6 Mech. seal (Viton)  
 (1) Ref. 7 O-Ring

**Silicon Carbide Seal Kit**  
 No. 3430-0589 consists of:  
 (1) Ref. 6 Mech. seal  
 (1) Ref. 7 O-Ring

**Note:** When ordering parts, give quantity, part number, description and complete model number. Reference numbers are used ONLY to identify parts in the drawing and NOT to be used as order numbers.

No.	Qty.	Part No.	Description
1	1	2406-0002	Drain Plug
2	1	0152-9070C	Chamber
3	1	2253-0002	Impeller Nut
4	1	0403-9100P	Impeller (Nylon)
5	1	1700-0100	Gasket
6	1	2120-0008	Mechanical Seal (Optional Buna-N)
6	1	2120-0009	Mechanical Seal (Standard Viton)
6	1	3430-0589	Mechanical Seal (Opt. Silicon Carbide)
7	1	1720-0083	O-Ring
8	1	1410-0056	Slinger Ring
9	1	0750-9200C3	Mounting Flange
10	4	2210-0020	Bolt
11	1	2406-0001	Priming Port Plug

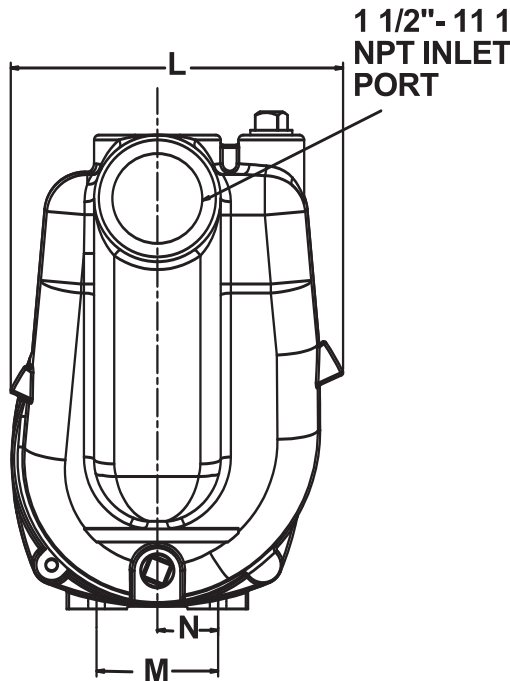
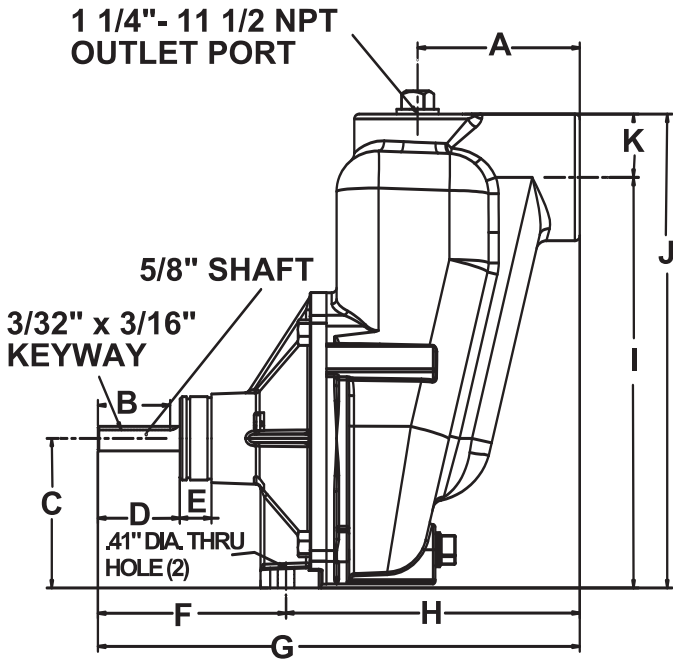
Ref. No.	Qty.	Part No.	Description
12	2	2000-0010	Ball Bearing
13	1	1610-0015	Key
14	1	0505-9200	Pump Shaft
15	1	1610-0004	Key
16	1	1820-0013	Bearing Retainer
17	1	2210-0003	Bolt
18	1	2270-0092	Retaining washer
19	1	2526-0012	Clutch (Model 9263C-CR- SP)
20	4	N/A	Bolt (Part of Clutch Assy)
21	1	1410-0107	Spacer
22	3	2230-0001	Set Screw
23	1	0753-9200C	Mounting Bracket
24	1	3430-0592	Complete Clutch Kit
25	1	2300-0025	Protective Cover

**9203C-R-SP  
9263C-CR-SP**

	GPM at	GPM at	GPM at	GPM at	GPM at	GPM at	GPM at	GPM at	GPM at	GPM at	GPM at	GPM at
RPM	20 PSI	30 PSI	40 PSI	50 PSI	60 PSI	70 PSI	80 PSI	90 PSI	100 PSI	110 PSI	120 PSI	
3600	80	64	43	17								
4200	102	90	76	59	38	16						
5000	127	119	109	99	86	70	55	37	18			
5500	135	131	125	118	110	98	83	71	57	40	21	
6000	138	135	132	127	122	117	111	103	93	80	67	

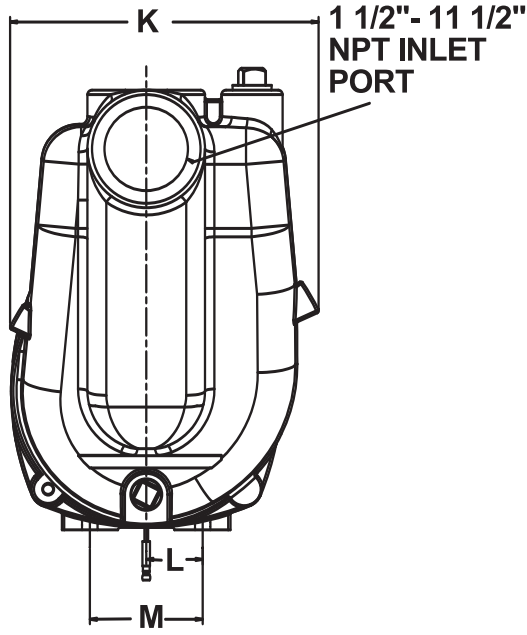
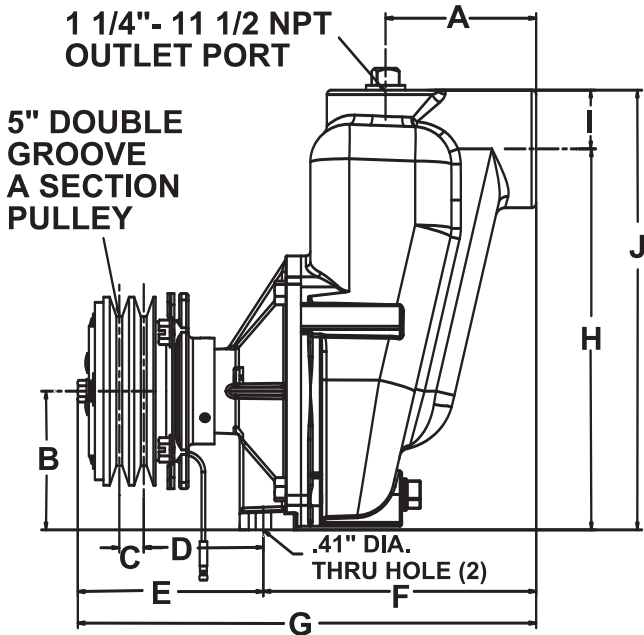
**9203C-R-SP  
9263C-CR-SP**

	LPM at	LPM at	LPM at	LPM at	LPM at	LPM at	LPM at	LPM at	LPM at	LPM at	LPM at	LPM at
RPM	1.4 BAR	2.1 BAR	2.8 BAR	3.4 BAR	4.1 BAR	4.8 BAR	5.5 BAR	6.2 BAR	6.9 BAR	7.6 BAR	8.3 BAR	
3600	303	242	163	64								
4200	386	341	288	223	144	61						
5000	481	450	413	375	326	265	208	140	68			
5500	511	496	473	447	416	371	314	269	216	151	79	
6000	522	511	500	481	462	443	420	390	352	303	254	



**9203C-R-SP  
Dimensions**

	Inches	mm
A	4.00	101.6
B	1.78	45.2
C	3.69	93.7
D	2.02	51.3
E	0.78	19.8
F	4.64	117.9
G	11.89	302.0
H	7.25	184.2
I	10.13	257.3
J	11.69	296.9
K	1.56	39.6
L	8.20	208.3
M	3.00	76.2
N	1.50	38.1



**9203C-CR-SP  
Dimensions**

	Inches	mm
A	4.00	101.6
B	3.69	93.7
C	0.65	16.5
D	3.18	80.8
E	4.93	125.2
F	7.25	184.2
G	12.18	309.4
H	10.13	257.3
I	1.56	39.6
J	11.69	296.9
K	8.20	208.3
L	1.50	38.1
M	3.00	76.2
N	1.50	38.1