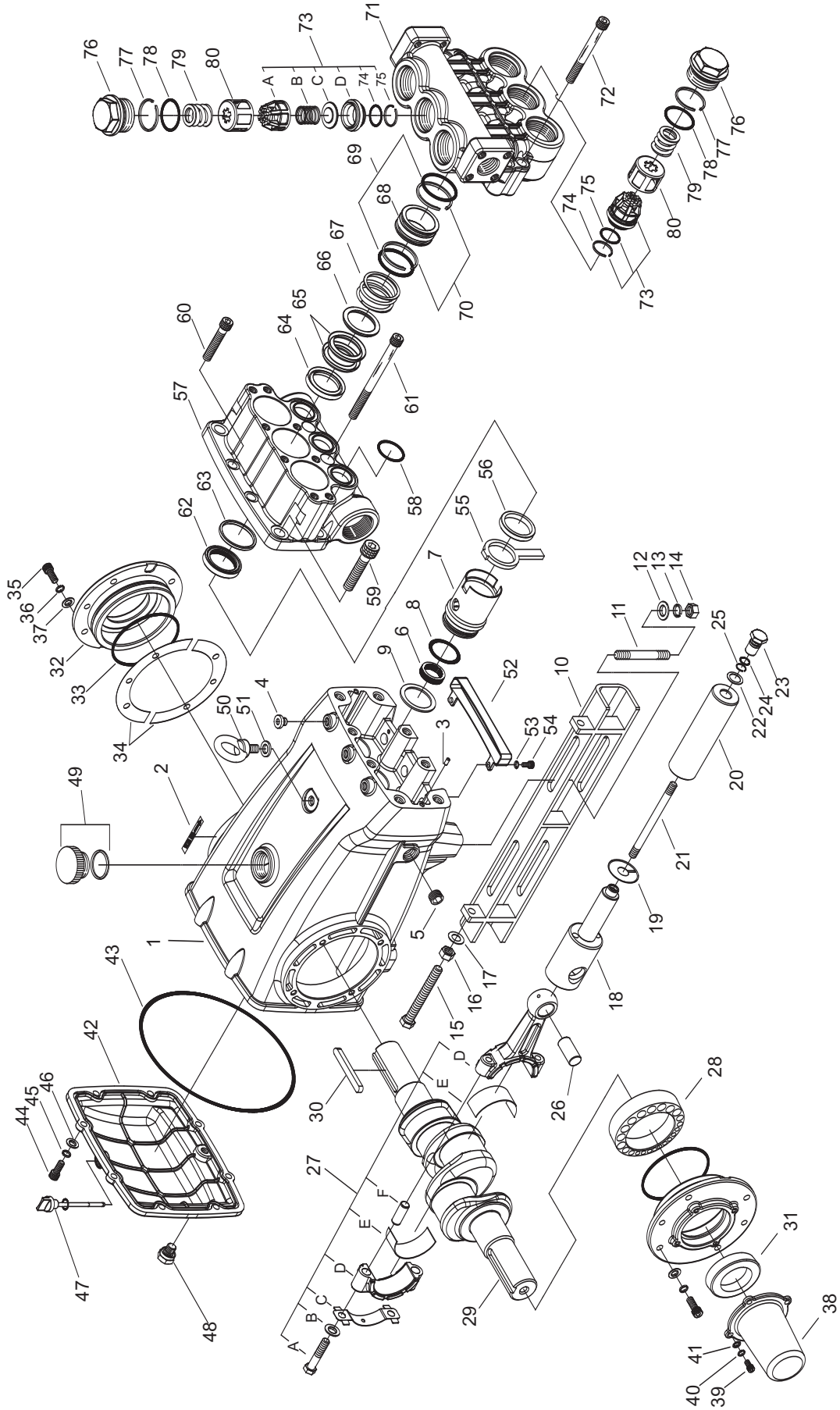


2535S & 2545S Parts Breakdown



Model 2535S and Model 2545S

Ref. No.	Qty. Req'd	Part No.	Description	Ref. No.	Qty. Req'd	Part No.	Description
1	1	0100-2535A	CRANKCASE	50	1	2214-0001	EYE BOLT
2	2	6031-0438	DECAL	51	1	2270-0110	WASHER
3	2	1600-0072	DOWEL PIN	52	1	2850-0010	OIL PAN
4	3	2300-0041	PLUG	53	2	2270-0111	WASHER
5	1	2406-0040	PLUG, PIPE	54	2	2220-0111	BOLT
6	3	2102-0042	OIL SEAL	55	3	1700-0211	WICK (Model 2535S)
7	3	0714-2535	INSERT (Model 2535S)	55	3	1700-0231	WICK (Model 2545S)
7	3	0714-2545	INSERT (Model 2545S)	56	3	1830-0175	SEAL RETAINER (Model 2535S)
8	3	1720-0232	O-RING	56	3	1830-0182	SEAL RETAINER (Model 2545S)
9	3	2270-0101	WASHER	57	1	0200-2535	INLET MANIFOLD (Model 2535S)
10	2	1510-0110	BASE	57	1	0200-2545	INLET MANIFOLD (Model 2545S)
11	4	2205-0018	STUD	58	3	1720-0239	O-RING
12	4	2270-0102	WASHER	59	4	2220-0112	BOLT
13	4	2260-0047	LOCKWASHER	60	2	2220-0113	BOLT
14	4	2250-0089	NUT	61	2	2220-0114	BOLT
15	2	2210-0147	BOLT	62	3	2102-0041	LOW PRESSURE SEAL (2535S)
16	2	2250-0090	NUT	62	3	2102-0045	LOW PRESSURE SEAL (2545S)
17	2	2270-0103	WASHER	63	3	1410-0117	SPACER (Model 2535S)
18	3	3500-0072	PLUNGER ROD	63	3	N/A	SPACER (Model 2545S)
19	3	2270-0104	SLINGER (Model 2535S)	64	3	1830-0176	PACKING RETAINER
19	3	2270-0126	SLINGER (Model 2545S)	65	6	2140-0004	PACKING (Model 2535S)
20	3	3500-0073	PLUNGER (Model 2535S)	65	6	2140-0005	PACKING (Model 2545S)
20	3	3500-0075	PLUNGER (Model 2545S)	66	3	1830-0177	SPREADER (Model 2535S)
21	3	2205-0019	STUD	66	3	1830-0181	SPREADER (Model 2545S)
22	3	2270-0105	WASHER	67	3	1900-0167	SPRING (Model 2535S)
23	3	1630-0002	PLUNGER NUT	67	3	1900-0181	SPRING (Model 2545S)
24	3	1720-0233	O-RING	68	3	1410-0118	SPACER (Model 2535S)
25	3	1760-0014	BACK-UP RING	68	3	1410-0124	SPACER (Model 2545S)
26	3	1600-0073	WRIST PIN	69	6	1720-0240	O-RING (Model 2535S)
27	3	0500-2535	CONNECTING ROD ASSY	69	6	1720-0264	O-RING (Model 2545S)
27-D	3	N/A	ROD	70	6	1760-0015	BACK-UP RING (Model 2535S)
27-F	6	N/A	DOWEL PIN	70	6	1760-0018	BACK-UP RING (Model 2545S)
27-C	3	N/A	RETAINING PLATE	71	1	0201-2535	DISCHARGE MANIFOLD (2535S)
27-B	6	N/A	WASHER	71	1	0201-2545	DISCHARGE MANIFOLD (2545S)
27-A	6	N/A	BOLT	72	8	2220-0115	BOLT
27-E	3	N/A	BEARING	73	6	3400-0169	VALVE ASSY (Model 2535S)
28	2	2029-0015	BEARING	73	6	3400-0170	VALVE ASSY (Model 2545S)
29	1	0501-2535	CRANKSHAFT	73-A	6	N/A	VALVE CAGE
30	1	1610-0063	KEY (M10x8x70)	73-B	6	N/A	SPRING
31	2	2102-0040	OIL SEAL	73-C	6	N/A	DISC
32	2	0700-2535	BEARING COVER	73-D	6	N/A	VALVE SEAT
33	2	1720-0234	O-RING	74	6	1720-0241	O-RING (Model 2535S)
34	2	1430-0030	SHIM	74	6	1720-0265	O-RING (Model 2545S)
35	8	2220-0108	BOLT	75	6	1760-0016	BACK-UP RING (Model 2535S)
36	8	2260-0048	LOCKWASHER	75	6	1760-0019	BACK-UP RING (Model 2545S)
37	8	2270-0107	WASHER	76	6	2404-0357	VALVE CAP
38	1	0701-2535	COVER	77	6	1760-0017	BACK-UP RING
39	4	2220-0109	BOLT	78	6	1720-0242	O-RING
40	4	2260-0049	LOCKWASHER	79	6	1900-0169	SPRING
41	4	2270-0108	WASHER	80	6	3200-0062	SPRING RETAINER
42	1	0702-2535	REAR COVER				
43	1	1720-0235	O-RING				
44	8	2220-0110	BOLT				
45	8	2260-0050	LOCKWASHER				
46	8	2270-0109	WASHER				
47	1	2630-0019	DIPSTICK				
48	1	2406-0039	DRAIN PLUG 1/4"-18 NPT				
49	1	2630-0020	OIL CAP				

Plunger Kit No. 3430-0638 (Model 2535S) / 3430-0728 (Model 2545S):
 Consists of: (1) Ref. 24 O-Ring, (1) Ref. 25 Back-up Ring, (1) Ref. 19 Slinger, (1) Ref. 22 Washer, (1) Ref. 20 Plunger, & (4) Anti-Seize Tubes

Packing Kit No. 3430-0639 (Model 2535S) / 3430-0729 (Model 2545S):
 Consists of: (3) Ref. 62 Low Pressure Seal, (6) Ref. 65 Packing, & (4) Anti-Seize Tubes

Valve Kit No. 3430-0640 (Model 2535S) / 3430-0730 (Model 2545S):
 Consists of: (6) Ref. 73 Valve Assembly, (6) Ref. 77 Back-up Ring, (6) Ref. 78 O-Ring, & (3) Anti-Seize Tubes

Packing Rebuild Kit No. 3430-0641 (Model 2535S) / 3430-0731 (Model 2545S):
 Consists of: (3) Ref. 58 O-Ring, (6) Ref. 69 O-Ring, (6) Ref. 70 Back-up Ring, (3) Ref. 64 Packing Retainer, (3) Ref. 62 Low Pressure Seal, (6) Ref. 65 Packing, & (4) Anti-Seize Tubes

Valve Seal Kit No. 3430-0642 (Model 2535S) / 3430-0732 (Model 2545S):
 Consists of: (6) Ref. 74 O-Ring, (6) Ref. 78 O-Ring, (6) Ref. 75 Back-up Ring, (6) Ref. 77 Back-up Ring, & (3) Anti-Seize Tubes

Plunger Seal Kit No. 3430-0643 (Model 2535S) / 3430-0733 (Model 2545S):
 Consists of: (3) Ref. 24 O-Ring, (3) Ref. 25 Back-up Ring, (3) Ref. 19 Slinger, (3) Ref. 22 Washer, & (4) Anti-Seize Tubes

Rod Oil Seal Kit No. 3430-0644 (Model 2535S) / 3430-0734 (Model 2545S):
 Consists of: (3) Ref. 55 Wick, (3) Ref. 8 O-Ring, & (3) Ref. 6 Oil Seal, & (4) Anti-Seize Tubes

Mounting Kit No. 3430-0645 (Both Models): Consists of: (2) Ref. 10 Base, (4) Ref. 11 Stud, (2) Ref. 15 Bolt, (4) Ref. 14 Nut, (2) Ref. 16 Nut, (4) Ref. 13 Lockwasher, (4) Ref. 12 Washer, & (2) Ref. 17 Washer