

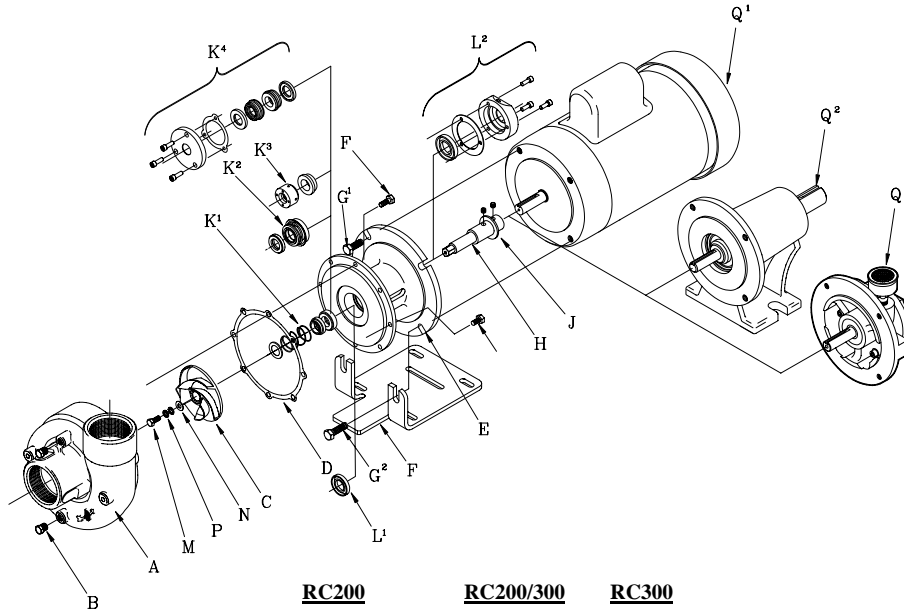


**PRICE PUMP CO.**

**RC SS PARTS LIST**  
**Hex Shaft Version**



Effective: January 24, 2006



	<u>RC200</u>	<u>RC200/300</u>	<u>RC300</u>
A. Volute SS	3710		3712
B. 1/8" Pipe Plugs (2 rqd)		0557	
C. Impeller Specify diameter ** SS (Hex bore)	3711-dia		3713-dia
D. Gasket, Teflon		0507	
E. Bracket		0972	
F. Motor Base		0197	

	<u>RC200/300</u>	<u>RC200/300</u>
F. Volute Bolts (8 rqd)	0573	
G <sup>1</sup> . Motor Bolts Base (2 rqd) No Base (4 rqd)	0593	
G <sup>2</sup> . Motor Bolts Base (2 rqd) No Base (0 rqd)	0673	
H. Shaft w/ setscrews (56C motor) 5/8" ID (Hex) Optional Shaft w/ setscrews 7/8" ID (Hex) (For 143TC, 145TC, 182C, 184C motors)	3714-1 3715-1	
J. Slinger (For 5/8" shaft pumps only) Seal with Seat:	0522	
K <sup>1</sup> . T.21 Fluorocarbon (std)	0553	
K <sup>2</sup> . T.9 PTFE (opt)	1150	
K <sup>3</sup> . Double Seal/Seat (opt): T.21 Fluorocarbon (2 rqd) T.21 Neoprene (2 rqd) T.21 EPR (2 rqd) Double Seal Plate Plate Gasket, PTFE Seal Plate Cover Bolts (3 rqd)		0985 0984 1023 0973 0974 0256
L. T.21 Quench Opt (For 5/8" shaft pumps only) Fluorocarbon Lip Seal		0891
M. Impeller Lockdown Bolt		0575
N. Impeller Lockdown Washer		2423
P. Impeller Lock Washer (2 rqd)		2344
Q <sup>1</sup> . Motor - Specify P/N Note: For 5 HP 184C or other footed motors, Only use Bracket		
Q <sup>2</sup> . Power Frames For use with 5/8" ID Shaft For use with 7/8" ID Shaft		5478 5501
Q <sup>3</sup> . Air Motor - Specify P/N		

\*\* Double seal pumps use double seal impellers, for example 3711DS-dia.

**RC Repair Parts Kit**

P/N 2206 for 56C 5/8" Hex shaft  
P/N 2206-1 for 56C 7/8" Hex shaft

Includes: Gasket Teflon , Hexed Shaft w/ SS, Slinger  
Impeller Lockdown Bolt, Impeller Lockdown Washer, Impeller Lock Washer

**Note: Seal/Seat must be ordered in addition to kit.**  
5/8" T.21 Single seal (std). Options: 5/8" T.9 PTFE Seal and T.21 Double seal. 5/8" Double T.9 not available.