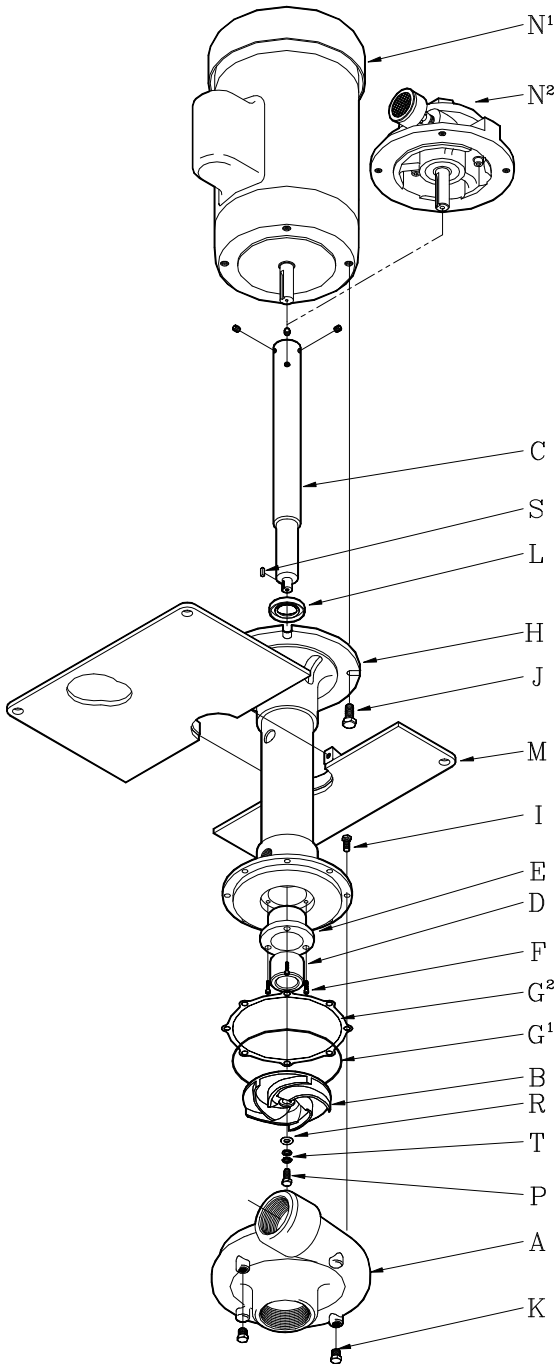




**PRICE PUMP CO.**

**CD SS VERTICAL PARTS LIST**

Effective: June 17, 1997



(CDVSSPr6. parts 97)

**\* Note:** If using an optional silicon carbide bushing the shaft must be tungsten coated - Contact factory  
SS = Stainless Steel

	<u>CD100VSS</u>	<u>CD150VSS</u>
A. Volute	0247	2411-0
B. Impeller	Part No. - diameter	
	2448V-4.94	2412V-4.94
	2448V-4.50	2412V-4.50
	2448V-4.25	2412V-4.25
	2448V-4.00	2412V-4.00
	2448V-3.62	2412V-3.62
C. 5/8" ID Shaft w/Setscrews	6 1/2" SS	2430-1
	13" SS	2431-1
	20" SS	2432-1
	32" SS	2433-1
	44" SS	2434-1
7/8" ID Shaft w/Setscrews	6 1/2" SS	2435-1
	13" SS	2436-1
	20" SS	2437-1
	32" SS	2438-1
	44" SS	2439-1
Shafts Include:	1 Half Dog Setscrew & 3 Cup Point Setscrews	0566 0680
D. Bushing		
	Graphite (std)	0676 0676
	Glass Filled PTFE (opt)	1135 1135
	* Silicon Carbide (opt)	0616 0616
	Bushing plate for silicon carbide	0747ASC 0747ASC
	SS Pin for **GF PTFE & silicon carbide (1 rqd)	0727 0727
E. Bushing Plate		0747 0747
F. Bushing Plate Screws (3 rqd)		0256 0256
G <sup>1</sup> . O-Rings (for Volute Flange)		N/A
	Fluorocarbon (std)	N/A 3070
	Buna	N/A 3074
	PTFE	N/A 3071
	Neoprene	N/A 3072
	EPR	N/A 3073
G <sup>2</sup> . Gasket, PTFE, CD100SS only		0507 N/A
H. Column Assembly	6 1/2" SS	0468 0468
	13" SS	0467 0467
	20" SS	0466 0466
	32" SS	0472 0472
	44" SS	0469 0469
I. Volute Bolts (8 rqd)		0917 0917
J. Motor Bolts (4 rqd)		0592 0592
K. 1/8" Pipe plugs (2 rqd)		0559 0559
L. Fume Barrier (opt)		
	Fluorocarbon for 5/8" ID shaft	0875 0875
	Fluorocarbon for 7/8" ID shaft	0877 0877
	PTFE for 5/8" ID Shaft	0876 0876
	PTFE for 7/8" ID Shaft	0878 0878
M. Plate Assembly (opt)	12 x 12 Sq. Steel	0903 0903
	12 x 12 Sq. Stainless	0904 0904
N <sup>1</sup> . Motor - Specify P/N		
N <sup>2</sup> . Air Motor - Specify P/N		
P. Impeller Lockdown Bolt		0575 0575
R. Impeller Flat Washer		2423 2423
S. Impeller Lockdown Key		2424 2424
T. Impeller Lockwashers (2 Rqd)		2344 2344

**Price® Pump Company**

21775 8th Street East ♦ P.O. Box Q ♦ Sonoma, CA 95476-0329 ♦ (707) 938-8441 ♦ Fax (707) 938-0764