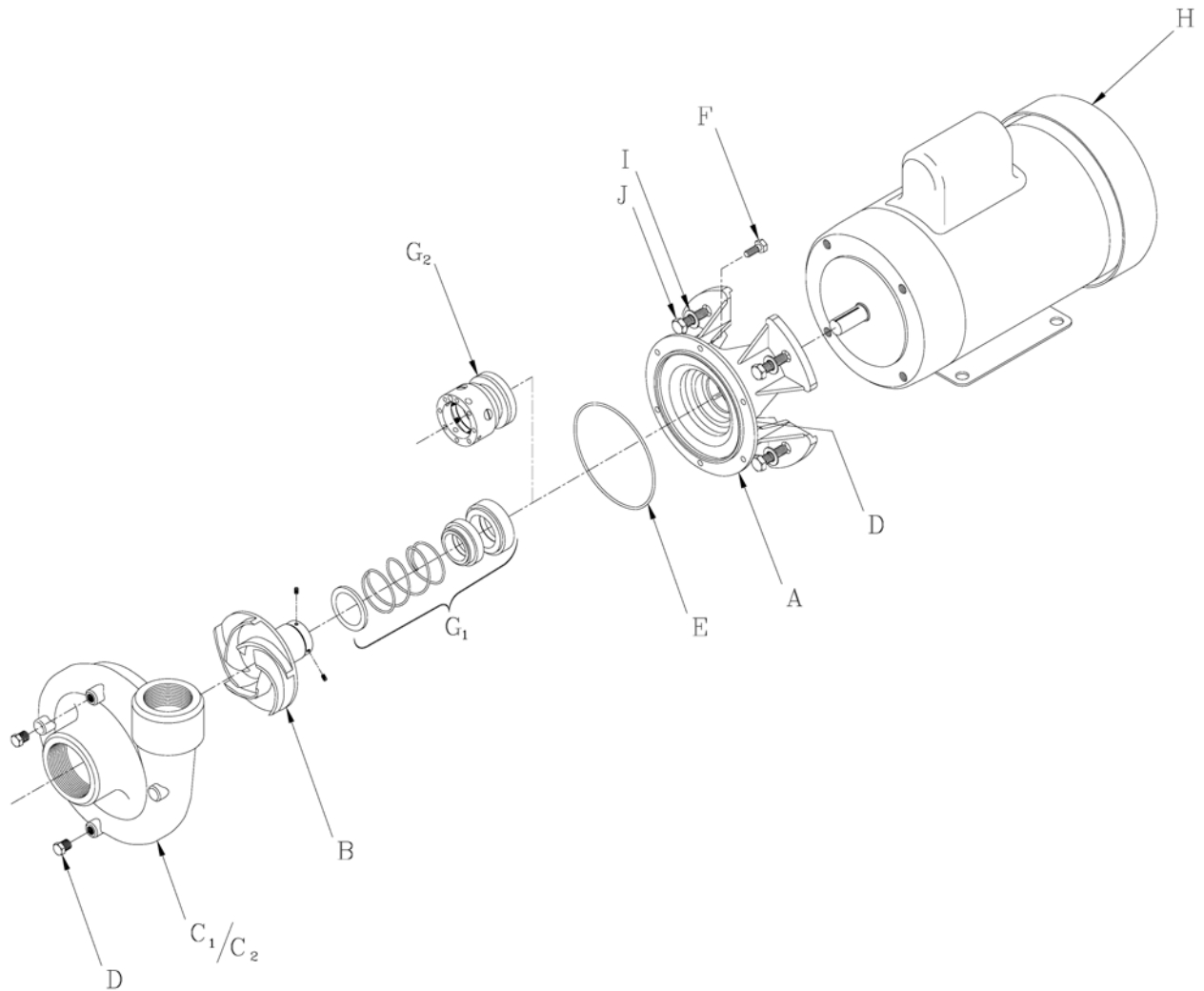


**PRICE® PUMP CO.**

CL150SS Parts List (182–184TC)

Effective: August 12, 2010



| <u>Part Description</u> | <u>Part No.:</u> |
|-----------------------------------|------------------|
| A. Bracket | 3501 |
| B. Impeller w/ Setscrews | 3502-dia |
| C1. Volute (std.) | 3503 |
| C2. Volute, (O-Ring option) | 3503-0 |
| D. Pipe Plug | 0559 (3 req.) |
| E. O-Ring ,Viton (std.) | 0865 |
| F. Volute bolt | 0917 (6 req.) |
| G1. Seal/Seat T.21 Viton (std.) | 3516 |
| G2. Seal/Seat T.9 Teflon (option) | 3567 |
| H. Motor | Specify P/N |
| I. Washer | 1199 (4 req.) |
| J. Motor bolt | 1189 (4 req.) |

Price® Pump Co.

21775 Eighth Street East * Sonoma, CA 95476-0329 * Phone (707) 938-8441 * Fax (707) 938-0764