



**PRICE PUMP CO.**

**XT/XL - V PARTS LIST**

Effective: October 1, 1994



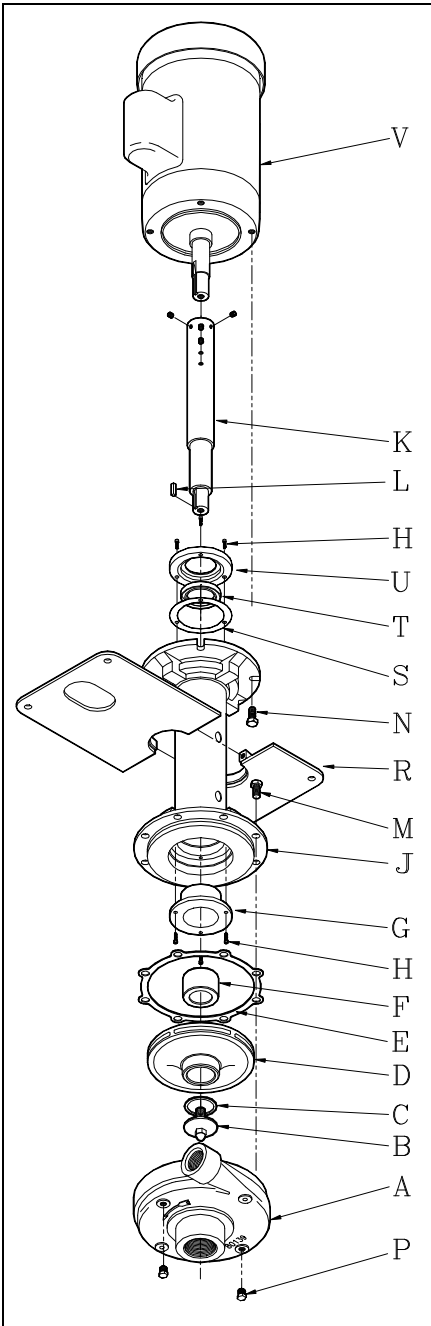
**Available sizes:**

**1 x 1-1/2 x 6**

**1-1/2 x 2 x 6 (Threaded Only)**

**1-1/2 x 3 x 6 (Flanged Only)**

**2 x 3 x 6**



	<u>AI</u>	<u>BF</u>	<u>SS</u>	<u>SS Flanged</u>
A. Volute				
XT/XL100V	2601	2601	2629	2605
XT/XL150V	2607	2607	2626	2611
XT/XL200V	2613	2613	2627	2617
B. Impeller Lockdown	0978	0978	0978	0978
C. Impeller Lockdown Gasket, PTFE	0245	0245	0245	0245
D. Impeller				
XT/XL100V	2602V-dia	2604V-dia	2606V-dia	2606V-dia
XT/XL150V	2608V-dia	2610V-dia	2612V-dia	2612V-dia
XT/XL200V	2614V-dia	2616V-dia	2618V-dia	2618V-dia
E. Gasket, Syn Fiber	0124	0124	N/A	N/A
PTFE	N/A	N/A	0301	0301
F. Bushing: 13" AI & BF Do not require a Bushing				
Carbon Graphite (std)	N/A	N/A	0341	0341
W88 (opt)	N/A	N/A	0343	0343
Glass Filled PTFE (opt)	N/A	N/A	0342	0342
* Silicon Carbide (opt)	N/A	N/A	0617	0617
Bushing Plate for Sil/Carbide	N/A	N/A	0340ASC	0340ASC
Pin SS for GFT & Sil/Carb (1 rqd)	N/A	N/A	0727	0727
G. Bushing Plate	N/A	N/A	0340	0340
H. Bushing Plate Screws (3 rqd)	N/A	N/A	0977	0977
J. Column Assembly				
13" CI or SS	0397	0397	0481	0481
20" SS	0482	0482	0482	0482
32" SS	0485	0485	0485	0485
44" SS	0489	0489	0489	0489
K. Shaft w/Setscrews				
13" SS	1190-1	1190-1	1191-1	1191-1
20" SS	1191-3	1191-3	1191-3	1191-3
32" SS	1191-5	1191-5	1191-5	1191-5
44" SS	1191-7	1191-7	1191-7	1191-7
Shafts Include:				
2 Half Dog Setscrews	0566	0566	0568	0568
4 Cup Point Setscrews	0680	0680	3080	3080
L. Impeller Shaft Key	0135	0135	0135	0135
M. Volute Bolts (8 rqd)	0587	0587	0724	0724
N. Motor Bolts (4 rqd)	0599	0599	0592	0592
P. 1/8" Pipe Plugs (2 rqd)	0559	0559	0559	0559
R. Mounting Plate Assembly (opt)				
9.5 x 16.5 Steel	0905	0905	0905	0905
9.5 x 16.5 Stainless Steel	0906	0906	0906	0906
S. Gasket for fume barrier, PTFE	0505	0505	0505	0505
T. Fume Barrier (opt)				
Buna	0756	0756	0756	0756
Fluorocarbon	0757	0757	0757	0757
PTFE	0758	0758	0758	0758
U. Quench Plate	0309-2	0309-2	0309-2	0309-2
V. Motor Specify part number				

AI = All Iron  
 AB = All Bronze  
 BF = Bronze Fitted  
 SS = Stainless Steel  
 W88 = Waukesha 88

\* Note: If using an optional silicon carbide bushing the shaft must be tungsten coated - Contact factory

**Price® Pump Company**

21775 8th Street East ♦ P.O. Box Q ♦ Sonoma, CA 95476-0329 ♦ (707) 938-8441 ♦ Fax (707) 938-0764